

OSM/IN DECISION
(INFORMATIVE)

Standard: EN 60670-1:2005	Sub clause: 9	Sheet N°: OSM/IN 257C
Subject: Standard sheets for flush-mounting boxes	Key words: <ul style="list-style-type: none"> - flush-mounting boxes - standard sheets 	Meeting N°: <ul style="list-style-type: none"> 1) 20(2010) 2) 21(2011) 3) 22(2012) 4) 23(2013) Item: <ul style="list-style-type: none"> 1) 3.4.1 2) 3.3 (Action No. 15) 3) 3.3 (Action No. 1) 4) 4.3 (Action No. 2)
<p>Question: According to Clause 9 (Dimensions) “<i>Boxes and enclosures shall comply with the appropriate standard sheets, if any.</i>”</p> <p>Information about standard sheets for flush-mounting boxes are not available.</p> <p>Decision: Additional information about standard sheets for flush-mounting boxes covered by CLC/TC 23BX used by CENELEC members and affiliate member countries can be found in the attached Technical Report (INFORMATIVE)</p> <p>Explanatory notes: The object of the attached Technical Report is to provide information concerning standard sheets for flush-mounting boxes as a result of an enquiry at OSM/IN level.</p> <p>Attention is drawn to National standards or regulations references cited in the attached Technical Report. Use of the referenced National standards or regulations is indispensable for the correct application of the attached Technical Report.</p> <p>The unique change in respect the decision OSM/IN 257B is the addition of information for Spain and Turkey.</p>		

CONTENTS

	Page(s)
- General	1
- Instructions	2
- Forms	3-4
Flush-mounting boxes used in:	Section
- Austria	AT
- Belgium.....	BE
- Czech Republic	CZ
- Denmark (information not available)	
- Finland.....	FI
- France.....	FR
- Germany	DE
- Greece (information not available)	
- Hungary	HU
- Iceland (information not available)	
- Ireland (information not available)	
- Italy	IT
- Luxembourg (information not available)	
- Netherlands.....	NL
- Norway	NO
- Poland.....	PO
- Portugal	PT
- Slovakia	SK
- Slovenia	SI
- Spain	ES
- Sweden.....	SE
- Switzerland.....	CH
- United Kingdom	UK
- Turkey	TR

GENERAL

The contents of the information forms is the responsibility of the NCB and/or AETL of the countries in question. The instructions on the following pages should be adhered to.

Please note that the information supplied by the NCB and/or AETL will be directly included in the published document and will not be editorially modified or redrawn. It is therefore important that the submission be prepared to the highest possible standard.

	Technical Report on flush-mounting boxes covered by CLC/TC 23BX used by CENELEC members and affiliate member countries (INFORMATIVE)	OSM/IN 257C 2013-05-31
-----------------------------------------------------------------------------------	---------------------------------------------------------------------------------------------------------------------------------------------	--------------------------------------

INSTRUCTIONS

The information forms are given on pages 2 and 3 with the references used in the instructions. The font used is Arial 10 and this font is recommended for use in form compilation.

The presentation of a given system of flush-mounting boxes may require more than one page; in this case the form on page 2 is used for the first page(s) and the form on page 3 for the last page.

- (1) Name of the country.
- (2) Two letter country code followed by page number, e.g. IT1 of IT10.
- (3) Date, i.e. YYYY-MM-DD, e.g. 2008-05-20.
- (4) Show end and side views and essential features to recognise the system. Dimensions should not be included. Give the following information Standard designation below each sketch (Number of standard sheet).
- (5) This space can be used for additional information.
- (6) Reference to last page, e.g. IT10.
- (7) Reference number(s).
NOTE – List all standards included in the sheets.
- (8) As for (5).
- (9) Name and address of office for information on the listed standards.
- (10) Telephone, fax numbers and e-mail addresses for (9).
- (11) Name and office for distribution and subscription of listed standards.
- (12) Telephone, fax numbers and e-mail addresses for (11).



Technical Report on flush-mounting boxes covered by CLC/TC 23BX used by CENELEC members and affiliate member countries (INFORMATIVE)

OSM/IN 257C

2013-05-31

FORMS

EN 60670-1	Flush-mounting boxes used in	(2)
	(1)	Date: (3)
<p style="text-align: center;">Sketch designation (4)</p>		
<p>Dimensions in mm</p>		
(5)		
<p>For reference and further information, see (6)</p>		



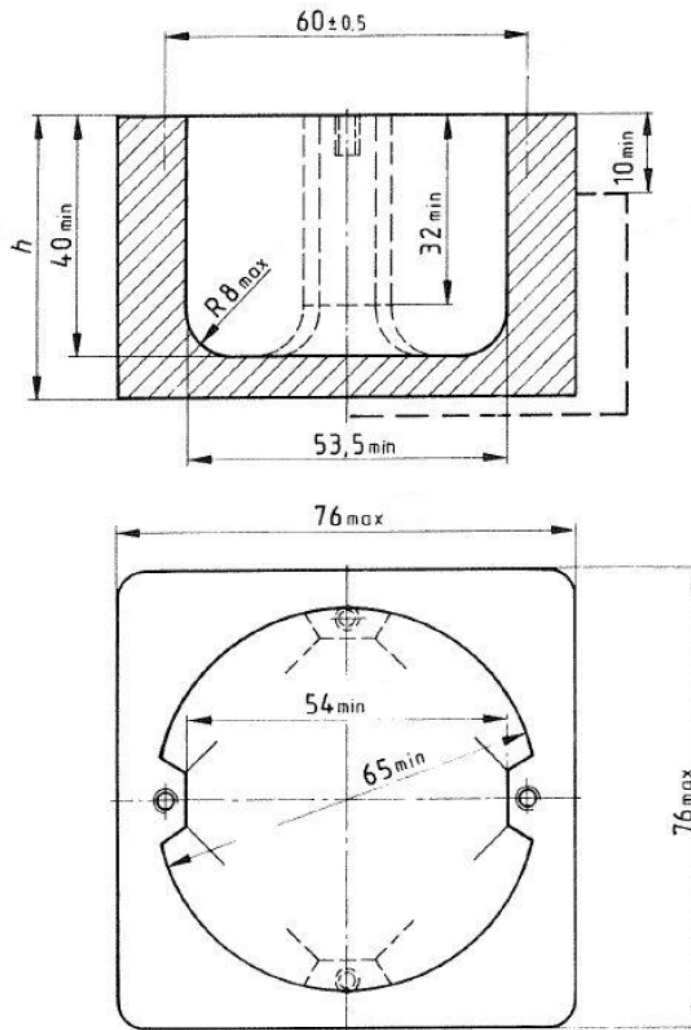
FORMS

EN 60670-1	Flush-mounting boxes used in	(2)
	(1)	Date: (3)
<p>Sketch designation</p>		
Dimensions in mm		
Reference of National standard or regulation		(7)
(8)		
Further information obtainable from:	(9)	(10)
Distribution and subscription from:	(11)	(12)

Flush-mounting boxes used in: AUSTRIA

EN 60670-1:2005	Flush-mounting boxes used in	AT1 of AT7
	AUSTRIA	Date: 2009-08-10

Sketch designation



ÖNORM E 6508 part 1, subclause 2

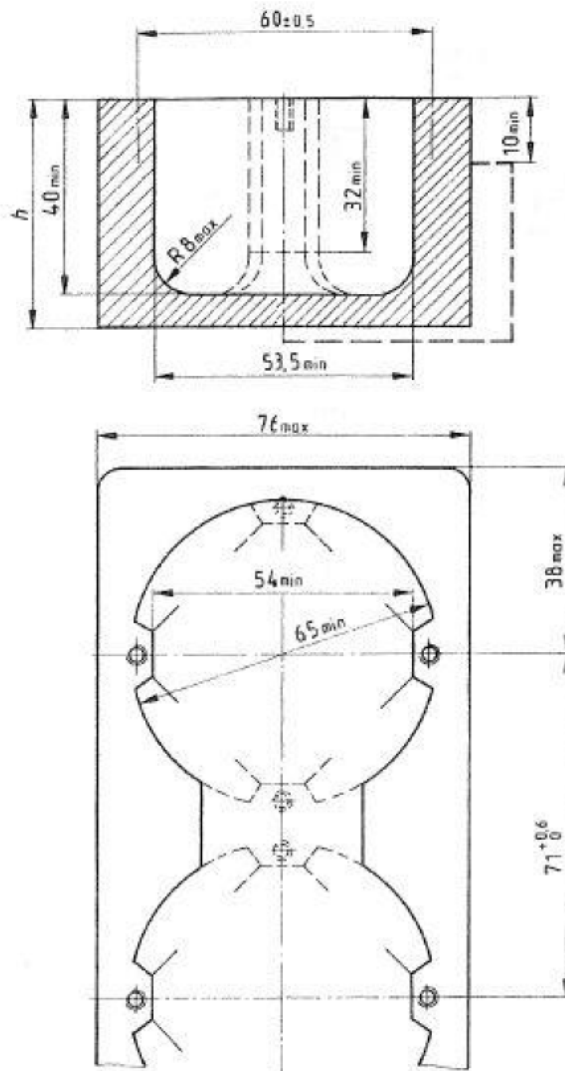
Dimensions in mm (if any)

Single mounting boxes for switches and socket-outlets with screw fixation

For reference and further information, see AT7

EN 60670-1:2005	Flush-mounting boxes used in AUSTRIA	AT2 of AT7
		Date: 2009-08-10

Sketch designation



ÖNORM E 6508 part 1, subclause 3

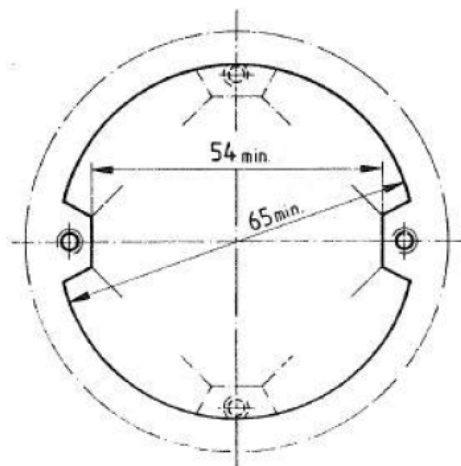
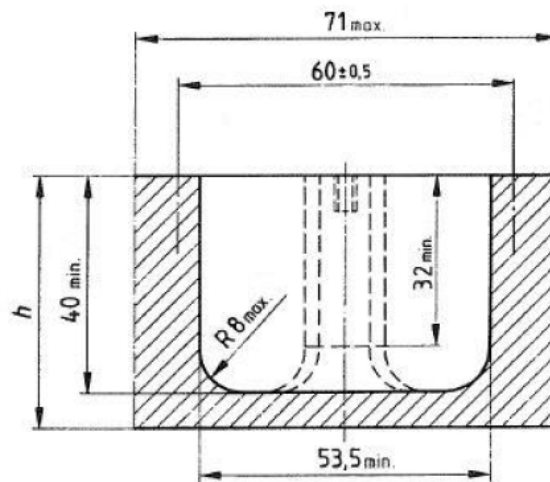
Dimensions in mm (if any)

Multiple mounting boxes for switches and socket-outlets with screw fixation

For reference and further information, see AT7

EN 60670-1:2005	Flush-mounting boxes used in AUSTRIA	AT3 of AT7
		Date: 2009-08-10

Sketch designation



ÖNORM E 6508 part 2, subclause 2

Dimensions in mm (if any)

Single hollow wall boxes for switches and socket-outlets with screw fixation

For reference and further information, see AT7

EN 60670-1:2005

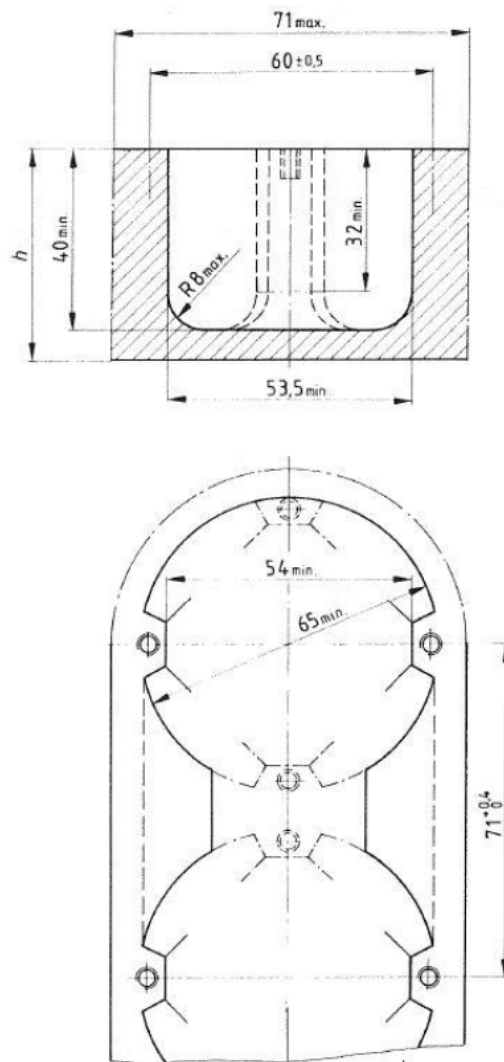
Flush-mounting boxes used in

AUSTRIA

AT4 of AT7

Date: 2009-08-10

Sketch designation



ÖNORM E 6508 part 2, subclause 3

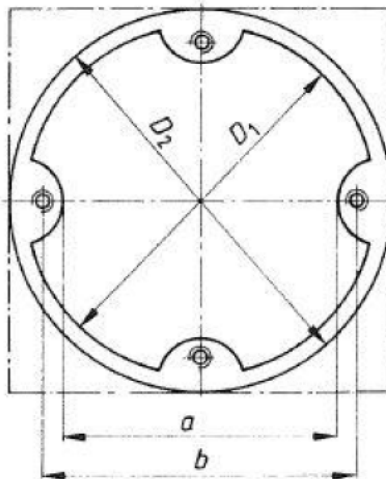
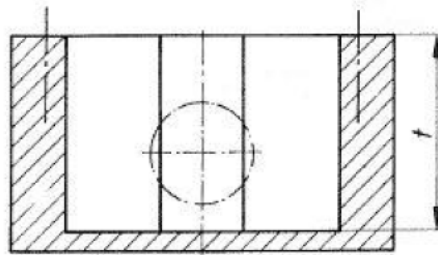
Dimensions in mm (if any)

Multiple hollow wall boxes for switches and socket-outlets with screw fixation

For reference and further information, see AT7

EN 60670-1:2005	Flush-mounting boxes used in AUSTRIA	AT5 of AT7
		Date: 2009-08-10

Sketch designation



D_1 min.	t min.	a min.	b $\pm 0,5$	D_2 max.
mm				
70	45	60	67	78
90	50	70	80	98

ÖNORM E 6508, part 3

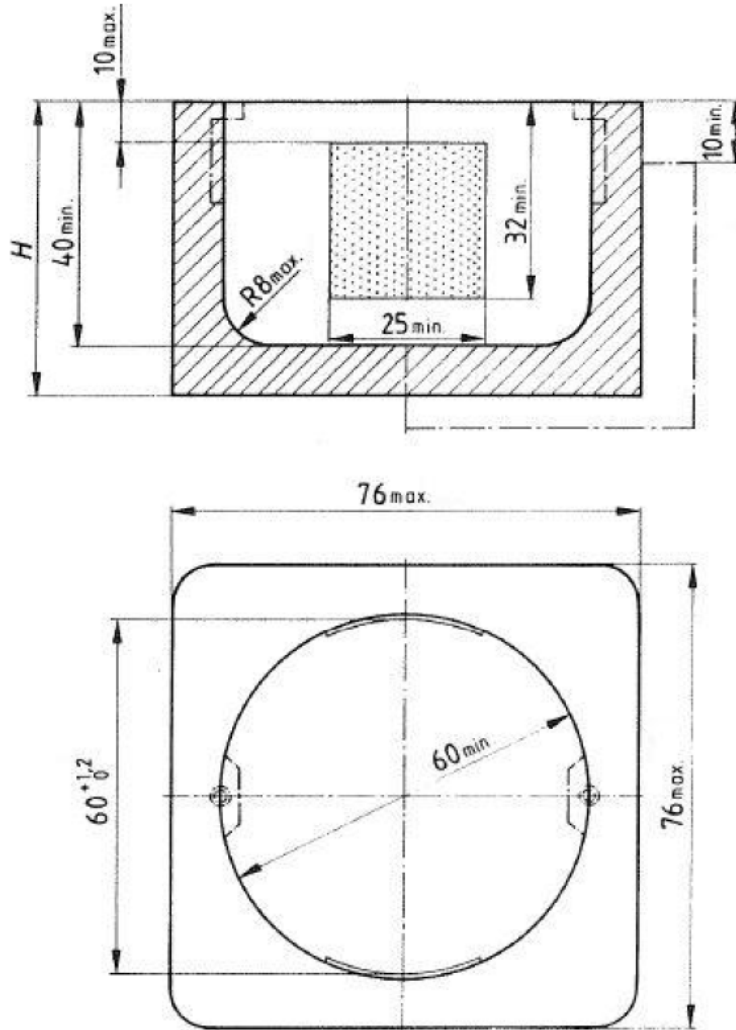
Dimensions in mm (if any)

Mounting boxes for multiple pole socket-outlets with screw fixation

For reference and further information, see AT7

EN 60670-1:2005	Flush-mounting boxes used in AUSTRIA	AT6 of AT7
		Date: 2009-08-10

Sketch designation

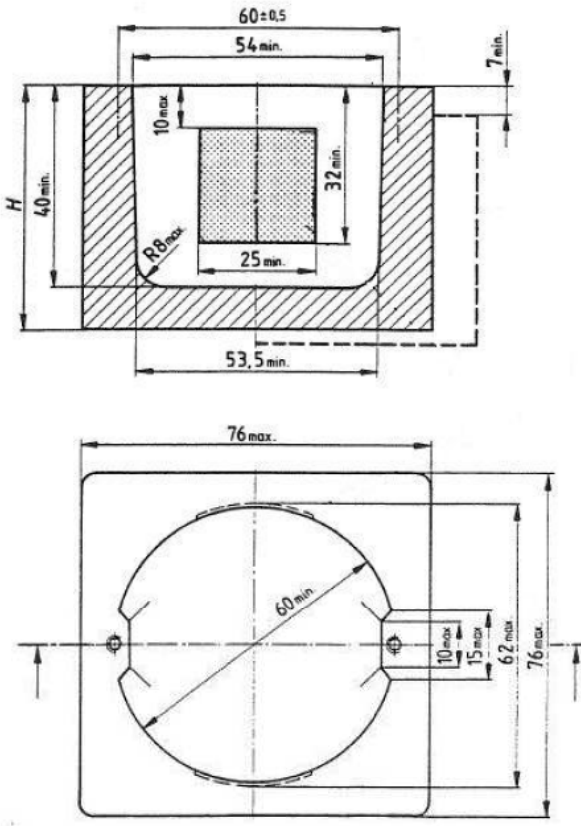


ÖNORM E 6508, part 4

Dimensions in mm (if any)

Mounting boxes for switches and socket-outlets with claw fixation

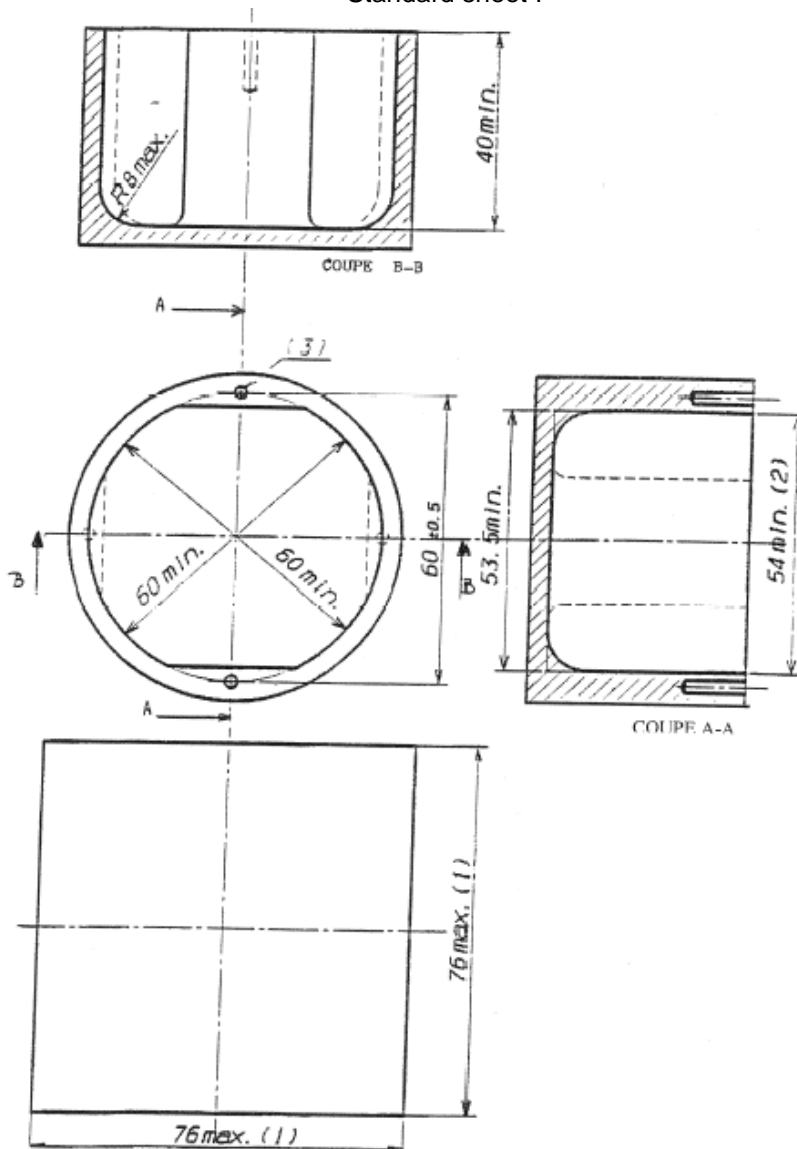
For reference and further information, see AT7

EN 60670-1:2005	Flush-mounting boxes used in AUSTRIA	AT7 of AT7 Date: 2009-08-10
<p style="text-align: center;">Sketch designation</p>  <p style="text-align: center;">ÖNORM E 6508, part 5</p> <p>Dimensions in mm (if any)</p>		
<p>Mounting boxes (for switches and socket-outlets with screw and claw fixation) for use in concrete</p>		
<p>Reference of National standard or regulation</p> <p>ÖNORM E 6508, part 1 ÖNORM E 6508, part 3 ÖNORM E 6508, part 5 ÖNORM E 6508, part 2 ÖNORM E 6508, part 4</p>		
Further information obtainable from:	OVE Austrian Electrotechnical Association Eschenbachgasse 9 1010 Vienna Austria	Phone: +43 1 587 63 73-0 Fax: +43 1 817 49 55 34 95 E-mail: ove@ove.at Internet: http://www.ove.at
Distribution and subscription from:	OVE Austrian Electrotechnical Association Eschenbachgasse 9 1010 Vienna Austria	Phone: +43 1 587 63 73-0 Fax: +43 1 817 49 55 34 95 E-mail: ove@ove.at Internet: http://www.ove.at

Flush-mounting boxes used in: BELGIUM

EN 60670-1:2005	Flush-mounting boxes used in	BE1 of BE4
	BELGIUM	Date: 2010-01-22

Standard sheet I



Dimensions in mm (if any)

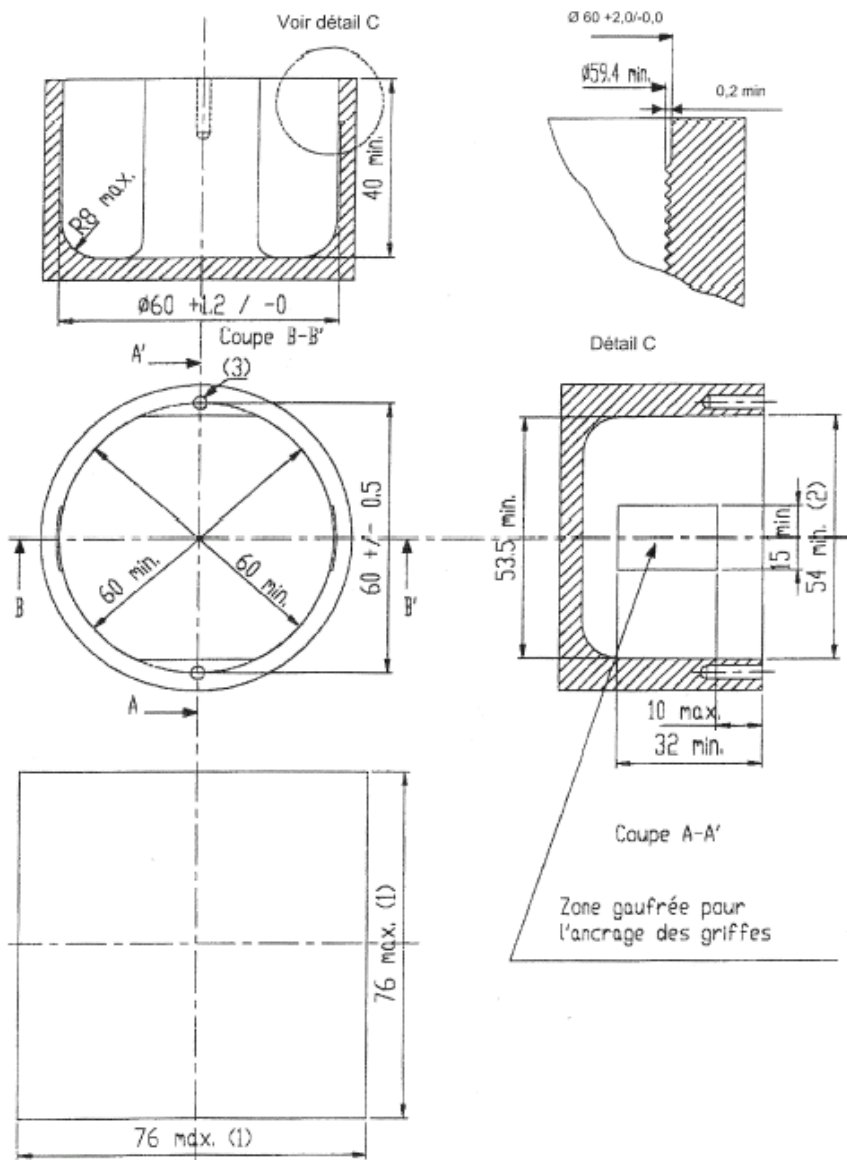
Mounting box destined to receive installation material fixed by the use of screws :

- to be mounted in a plain wall
- to be mounted in a hollow wall
- to be moulded in concrete

For reference and further information, see BE4.

EN 60670-1:2005	Flush-mounting boxes used in	BE2 of BE4
	BELGIUM	Date: 2010-01-22

Standard sheet II



Dimensions in mm (if any)

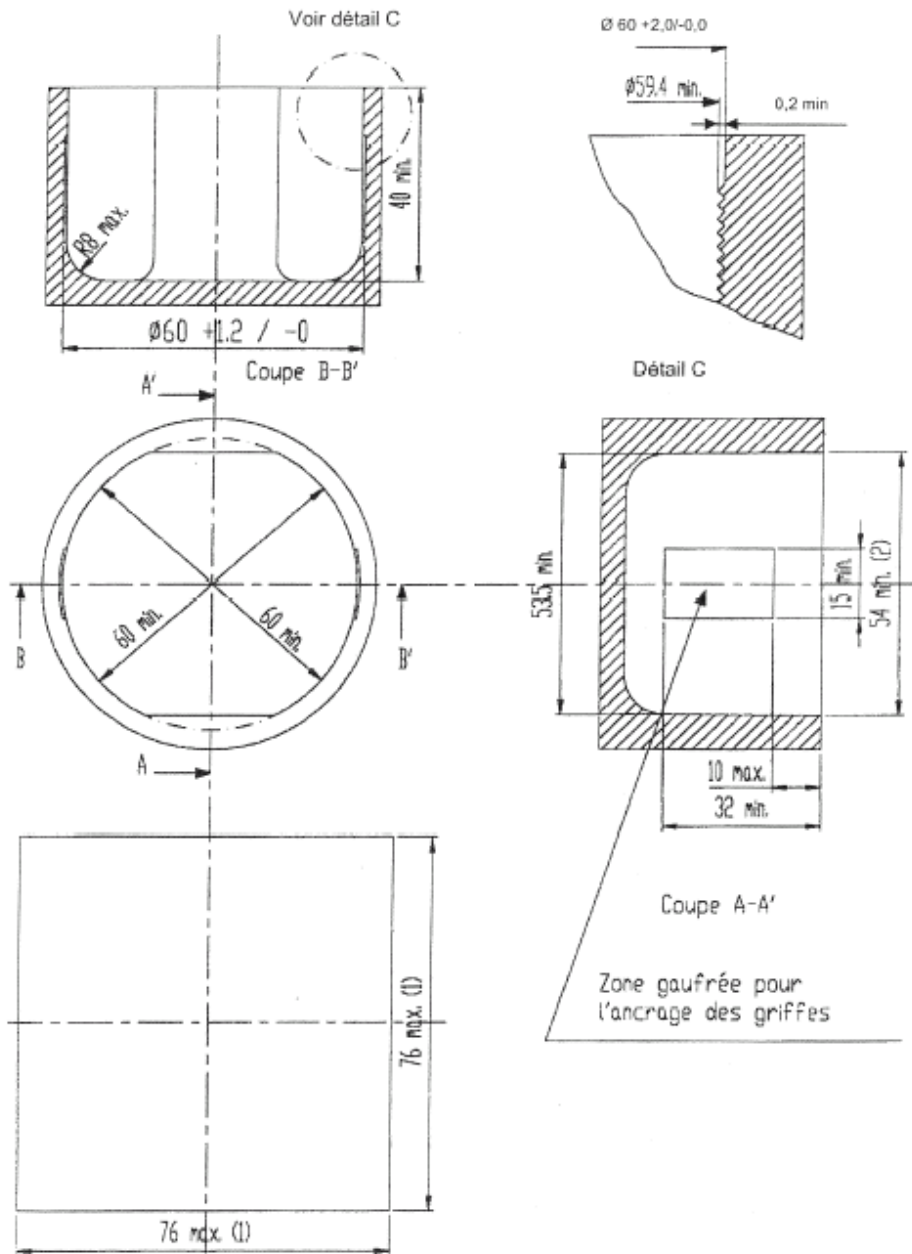
Mounting box destined to receive installation material fixed by the use of screws or claws:

- to be mounted in a plain wall
- to be moulded in concrete

For reference and further information, see BE4.

EN 60670-1:2005	Flush-mounting boxes used in	BE3 of BE4
	BELGIUM	Date: 2010-01-22

Standard sheet III



Dimensions in mm (if any)

Mounting box destined to receive installation material fixed by the use of claws:

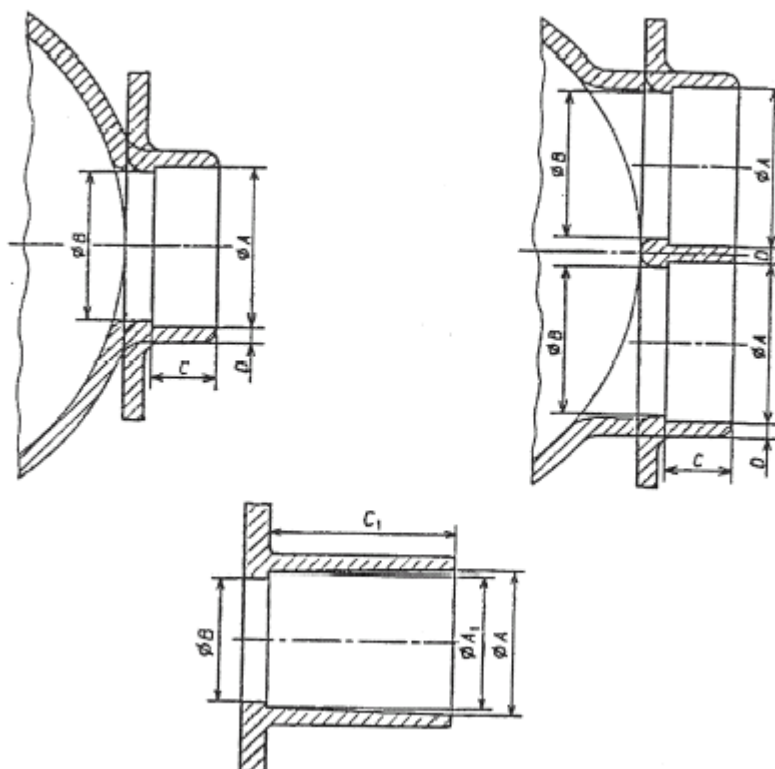
- to be mounted in a plain wall
- to be moulded in concrete

For reference and further information, see BE4.

EN 60670-1:2005	Flush-mounting boxes used in	BE4 of BE4
	BELGIUM	Date: 2010-01-22

Standard sheet IV

Dimensions en mm



Dimensions in mm (if any)

Retaining wall for entry of smooth conduits.

Reference of National standard or regulation:

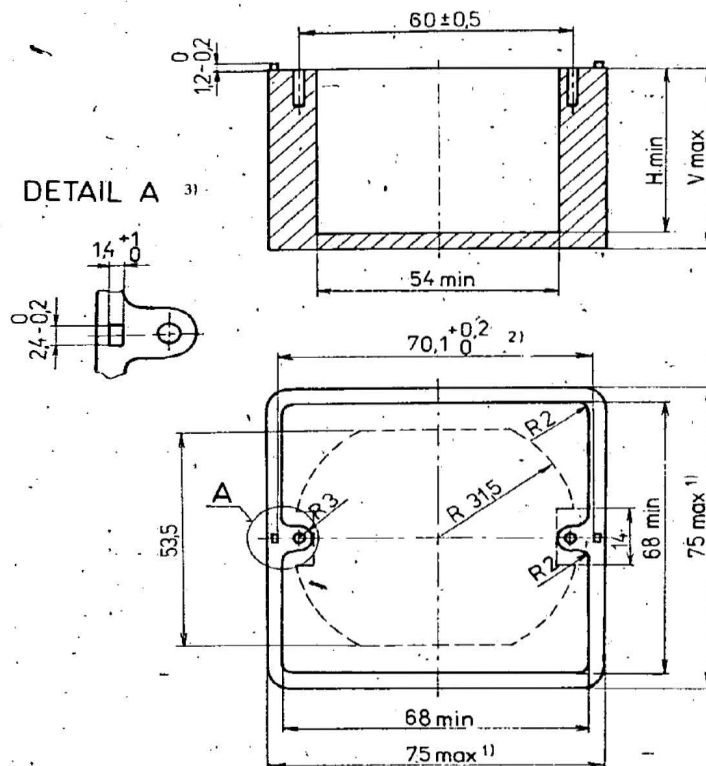
Standard sheets issued from NBN C61-670 ed 2 2007.
To be used in conjunction with standard NBN EN 60670-1 2005.

Further information obtainable from:	CEB (Comité Electrotechnique Belge) Diamant Building Bd A. Reyers 80 1030 Bruxelles Belgium	Telephone: 0032 2 706 85 70 Fax: - E-mail: centraloffice@bec-ceb.be
Distribution and subscription from:	CEB (Comité Electrotechnique Belge) Diamant Building Bd A. Reyers 80 1030 Bruxelles Belgium	Telephone: 0032 2 706 85 70 Fax: - E-mail: centraloffice@bec-ceb.be

Flush-mounting boxes used in: CZECH REPUBLIC

EN 60670-1	Flush-mounting boxes used in	CZ1 of CZ2
	CZECH REPUBLIC	Date: 2011-05-24

Minimal inside diameters of the square-shaped boxes for installation devices (mm):



Rozměry v mm

<i>H</i> min	12,5	25	32	40
<i>V</i> max	15,5	30	37	45

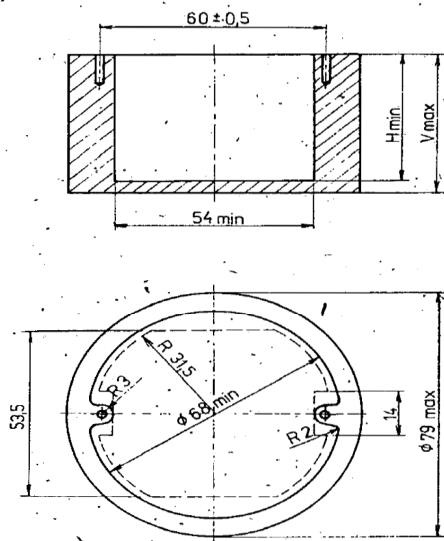
Dimensions in mm

-

For reference and further information, see CZ2

EN 60670-1	Flush-mounting boxes used in	CZ2 of CZ2
	CZECH REPUBLIC	Date: 2011-05-24

Minimal inside diameters of the round-shaped boxes for installation devices (mm):



Rozměry v mm

<i>H min</i>	25	32	40
<i>V max</i>	30	37	45

Dimensions in mm

Reference of National standard or regulation:

- Nowadays Czech edition of European standard ČSN EN 60670-1:2005 is used.
- Historically Czech standard ČSN 37 0100 (cancelled in 2007) was used.
- Czech manufacturers usually meet the requirements of the old ČSN 37 0100 but they are in conformity with the requirements of EN 60670-1.

Further information obtainable from:

-

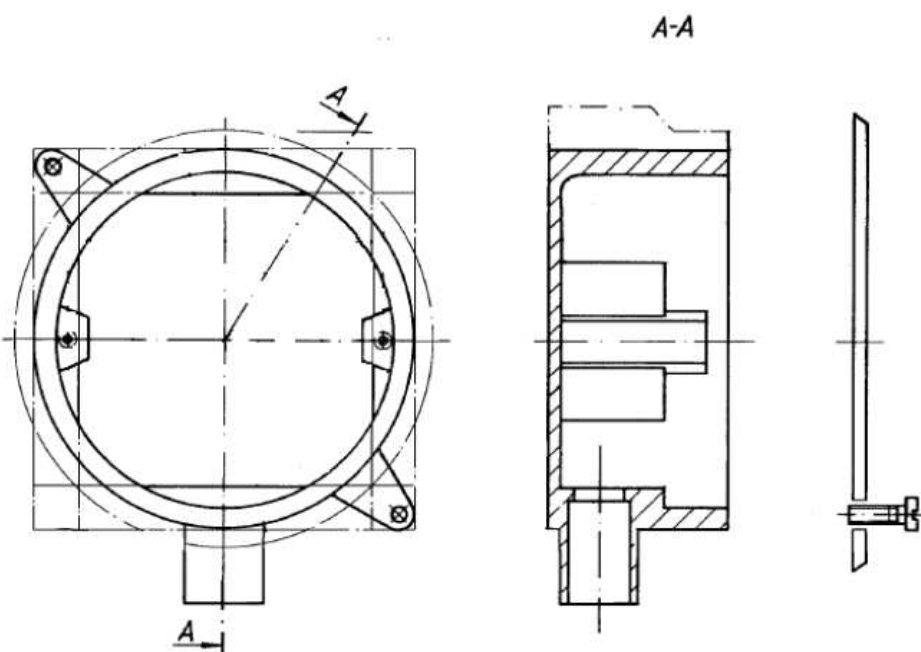
-

Distribution and subscription from:

-

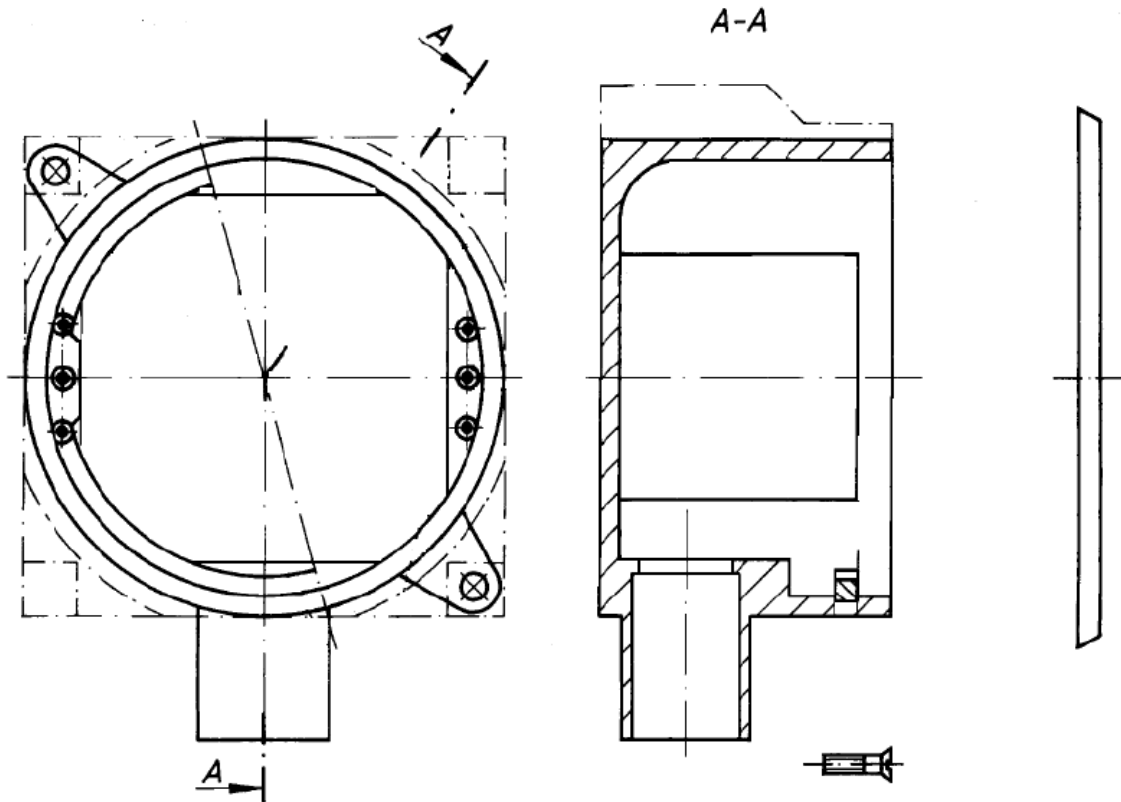
-

Flush-mounting boxes used in: FINLAND

EN 60670-1:2005	Flush-mounting boxes used in FINLAND	FI1 of FI4
		Date: 2009-11-30
<p style="text-align: center;">SFS 2283 Junction and/or tapping box c/c 78 mm for flush mounting</p> 		
Dimensions in mm (if any)		
For reference and further information, see FI4.		

EN 60670-1:2005	Flush-mounting boxes used in	FI2 of FI4
	FINLAND	Date: 2009-11-30

SFS 2284
Single box for apparatus with screw fixing

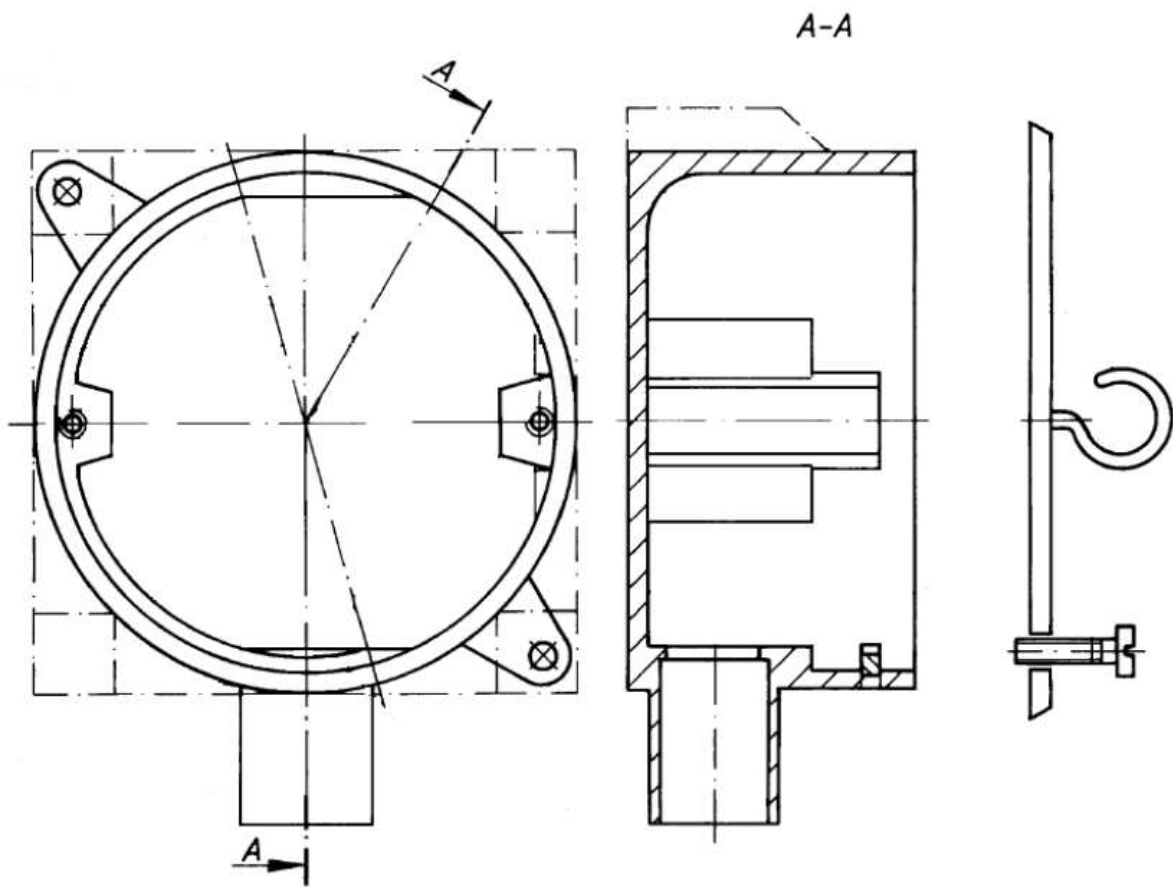


Dimensions in mm (if any)

For reference and further information, see FI4.

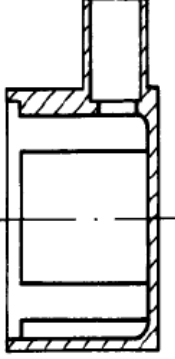
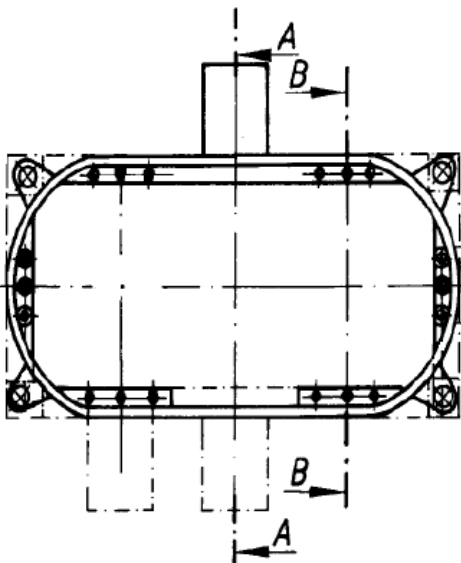
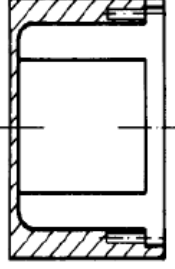
EN 60670-1:2005	Flush-mounting boxes used in FINLAND	F13 of F14
		Date: 2009-11-30

SFS 3718
Junction and/or tapping box c/c 70 mm for flush mounting



Dimensions in mm (if any)

For reference and further information, see F14.

EN 60670-1:2005	Flush-mounting boxes used in FINLAND	FI4 of FI4
		Date: 2009-11-30
<p style="text-align: center;">SFS 3719 Double box for apparatus with screw fixing</p> <div style="display: flex; justify-content: space-around; align-items: center;"> <div style="text-align: center;"> <p>A-A</p>  </div> <div style="text-align: center;">  </div> <div style="text-align: center;"> <p>B-B</p>  </div> </div> <p style="text-align: right; margin-top: 20px;">↑</p>		
<p>Dimensions in mm (if any) Reference of National standard or regulation: SFS 2283:2009, SFS 2284:2009, SFS 3718:2009 and SFS 3719:2009</p>		
Further information obtainable from:	SESKO ry P.O. Box 134 FI-00211 HELSINKI FINLAND	Tel. +358 9 696 391, Fax +358 9 677 059, E-mail: palaute@sesko.fi www.sesko.fi
Distribution and subscription from:	Finnish Standards Association SFS P.O. Box 130 FI-00101 HELSINKI FINLAND	Tel. int. +358 9 149 9331 Telefax int. +358 9 146 4925 E-mail: sfs@sfs.fi www.sfs.fi



Flush-mounting boxes used in: FRANCE

EN 60670-1	Flush-mounting boxes used in FRANCE	- Date: 2009-09-23
<p style="text-align: center;">Sketch designation</p> <p>Concerning the flush-mounting boxes depending on EN 60670-1 there is no specific standard sheet in France. There are several french manufacturers which have their own specifications for the dimensions of their boxes. Up to day there is no working group studying a standardization of the dimensions. Each manufacturer define the dimensions in order to have boxes compatible with the devices with the same trademark.</p> <p>Dimensions in mm</p>		
Reference of National standard or regulation -		
-		
Further information obtainable from:	-	-
Distribution and subscription from:	-	-

	Technical Report on flush-mounting boxes covered by CLC/TC 23BX used by CENELEC members and affiliate member countries (INFORMATIVE)	OSM/IN 257C 2013-05-31
-----------------------------------------------------------------------------------	---------------------------------------------------------------------------------------------------------------------------------------------	--------------------------------------

Flush-mounting boxes used in: GERMANY

EN 60670-1	Flush-mounting boxes used in GERMANY	- Date: 2009-07-27
<p style="text-align: center;">Sketch designation</p> <p>Results received from German National Committee AK/UK 543:</p> <p>1.) flush mounting boxes used in CENELEC countries: AK543.02_09-14</p> <p>The national committee comes to the following result: It doesn't exist such an overview. The committee refer to the document R023-002 from 1996 wich exist only as a draft. It's not provided to create such an overview. For this project OSM can contact CENELEC TC 23BX.</p> <p>Dimensions in mm</p>		
Reference of National standard or regulation -		
-		
Further information obtainable from:	-	-
Distribution and subscription from:	-	-

	Technical Report on flush-mounting boxes covered by CLC/TC 23BX used by CENELEC members and affiliate member countries (INFORMATIVE)	OSM/IN 257C 2013-05-31
-----------------------------------------------------------------------------------	---------------------------------------------------------------------------------------------------------------------------------------------	--------------------------------------

Flush-mounting boxes used in: HUNGARY

Flush-mounting boxes used in Hungary

This document gives general information concerning standardized insulating flush-mounting boxes used in Hungary.

These boxes are designed for non-combustible walls and non-combustible ceilings and are intended to be installed after the building process. The content of this document does not apply to boxes designed for hollow walls, hollow ceilings, hollow furniture and hollow architrave and to boxes for prefabricated structures, for which the dimensions declared by the manufacturer shall apply.

Special flush-mounting boxes are also used in Hungary. These boxes are characterized by dimensions which may partially or totally differ from that of standardized boxes. The dimensions of special boxes and the relevant fixing means are declared by the manufacturer. Special boxes shall be verified with the accessories indicated by the manufacturer.

EN standards in Hungary regarding enclosures and boxes:

MSZ EN 60670-1:2005 Boxes and enclosures for electrical accessories for household and similar fixed electrical installations. Part 1: General requirements (IEC 60670-1:2002 + corrigendum 2003, modified)

MSZ EN 60670-21:2008 Boxes and enclosures for electrical accessories for household and similar fixed electrical installations. Part 21: Particular requirements for boxes and enclosures with provision for suspension means (IEC 60670-21:2004, modified)

MSZ EN 60670-22:2007 Boxes and enclosures for electrical accessories for household and similar fixed electrical installations. Part 22: Particular requirements for connecting boxes and enclosures (IEC 60670-22:2003, modified)

Remark:

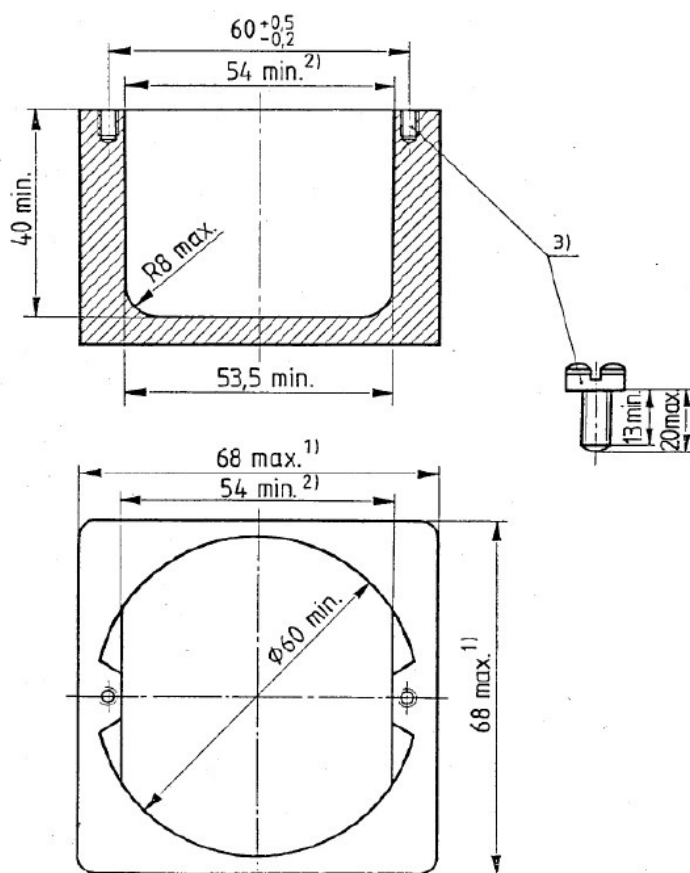
Now, there are no existing **national standards** in Hungary regarding enclosures and boxes, because they were deleted. In spite of this, manufacturers get shape and dimensions from these standards, using them as informative documents. See these (already deleted) standards here:

MSZ 454-2:1987 Enclosures for accessories for electrical installations. Dimensions of mounting boxes for flush type accessories for screw fixing

MSZ 454-3:1987 Enclosures for accessories for electrical installations. Dimensions of mounting boxes for flush type accessories for either screw or claw fixing

EN 60670-1:2005	Flush-mounting boxes used in	HU1 of HU3
		Date: 2009-09-08

Sketch designation

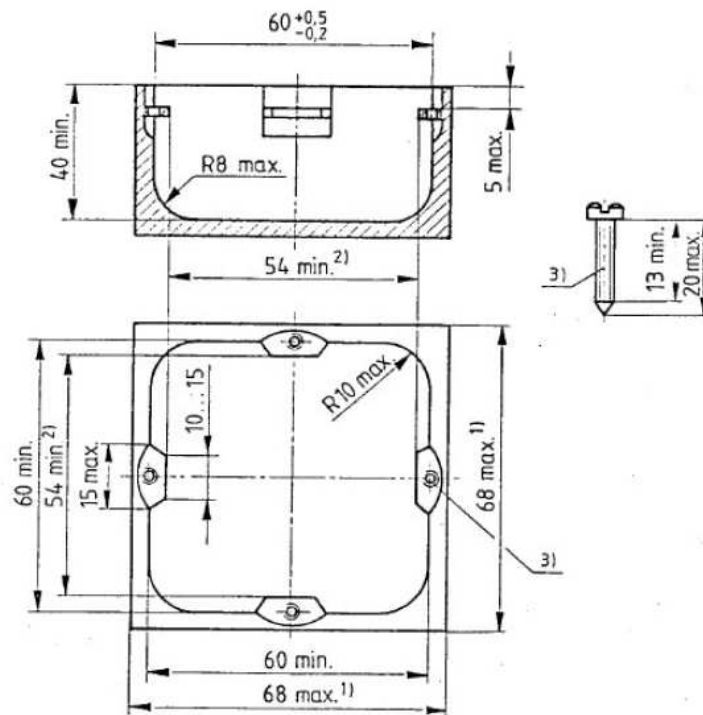


Dimensions in mm

Reference: MSZ 454-2:1987 Fig. 1.

EN 60670-1:2005	Flush-mounting boxes used in	HU2 of HU3
		Date: 2009-09-08

Sketch designation

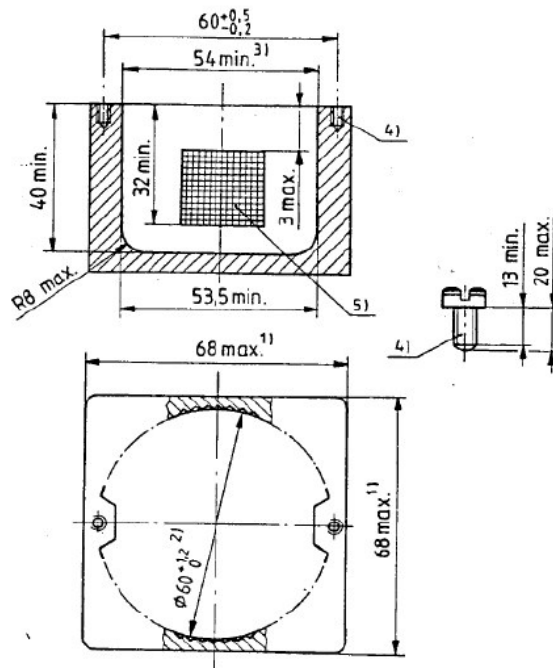


Dimensions in mm

Reference: MSZ 454-2:1987 Fig. 2.

EN 60670-1:2005	Flush-mounting boxes used in	HU3 of HU3
		Date: 2009-09-08

Sketch designation



Dimensions in mm

Reference : MSZ 454-3:1987.

Further information obtainable from:	Hungarian Standards Institution 1091 Budapest Üllői út 25.	
Distribution and subscription from:	Hungarian Standards Institution 1091 Budapest Üllői út 25.	

 <p>ECS European Certification System</p>	<p>Technical Report on flush-mounting boxes covered by CLC/TC 23BX used by CENELEC members and affiliate member countries (INFORMATIVE)</p>	<p>OSM/IN 257C</p> <p>2013-05-31</p>
---------------------------------------------------------------------------------------------------------------------------------------	----------------------------------------------------------------------------------------------------------------------------------------------------	---------------------------------------------

Flush-mounting boxes used in: ITALY

Flush-mounting boxes used in Italy

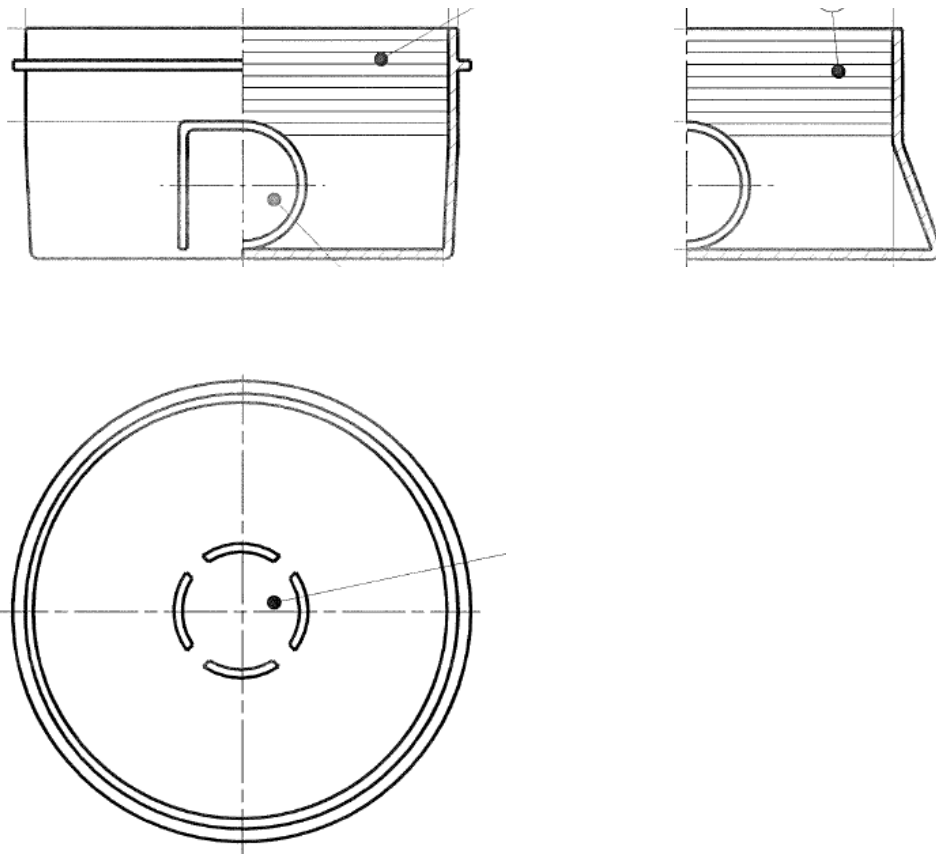
This document gives general information concerning standardized insulating flush-mounting boxes used in Italy.

These boxes are designed for non-combustible walls and non-combustible ceilings and are intended to be installed after the building process. The content of this document does not apply to boxes designed for hollow walls, hollow ceilings, hollow furniture and hollow architrave and to boxes for prefabricated structures, for which the dimensions declared by the manufacturer shall apply.

Special flush-mounting boxes are also used in Italy. These boxes are characterized by dimensions which may partially or totally differ from that of standardized boxes. The dimensions of special boxes and the relevant fixing means are declared by the manufacturer. Special boxes shall be verified with the accessories indicated by the manufacturer.

EN 60670-1:2005	Flush-mounting boxes used in ITALY	IT1 of IT10
		Date: 2009-04-30

Sketch designation A1



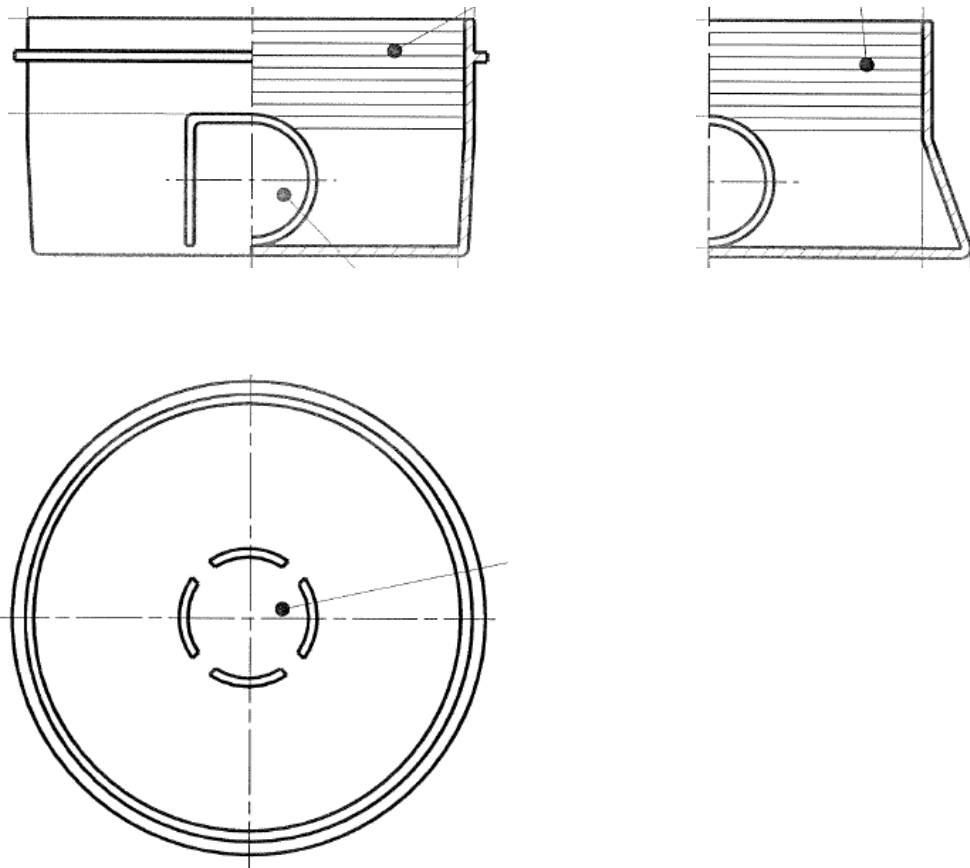
Dimensions in mm (if any)

Boxes intended to receive claws.
Depth: 40 mm.

For reference and further information, see IT10.

EN 60670-1:2005	Flush-mounting boxes used in ITALY	IT2 of IT10
		Date: 2009-04-30

Sketch designation A2



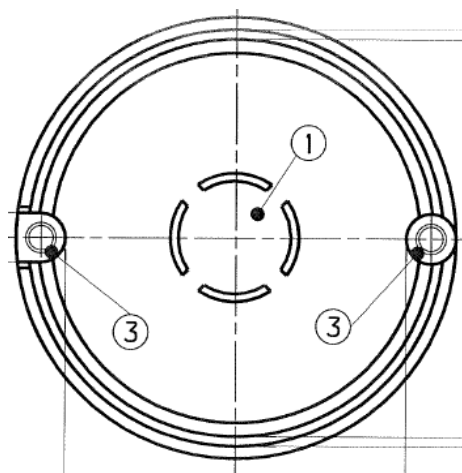
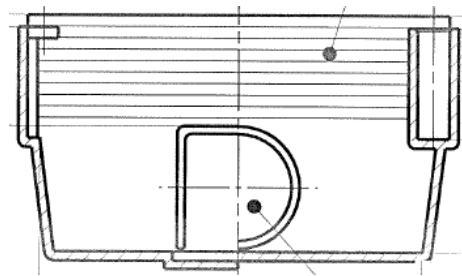
Dimensions in mm (if any)

Boxes intended to receive claws.
Depth: 45 mm.

For reference and further information, see IT10.

EN 60670-1:2005	Flush-mounting boxes used in ITALY	IT3 of IT10
		Date: 2009-04-30

Sketch designation A3

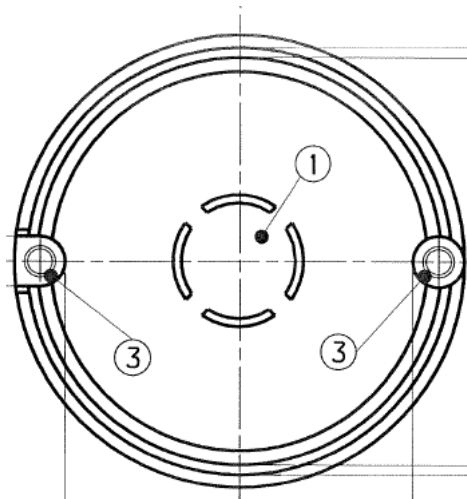
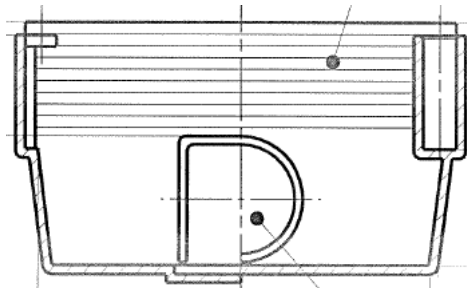


Dimensions in mm (if any)
Boxes intended to receive screws and claws.
Depth: 40 mm.

For reference and further information, see IT10.

EN 60670-1:2005	Flush-mounting boxes used in ITALY	IT4 of IT10
		Date: 2009-04-30

Sketch designation A4



Dimensions in mm

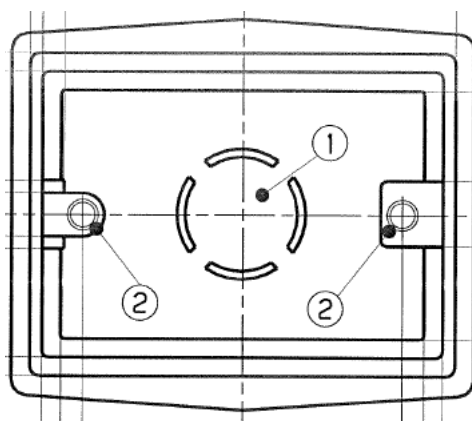
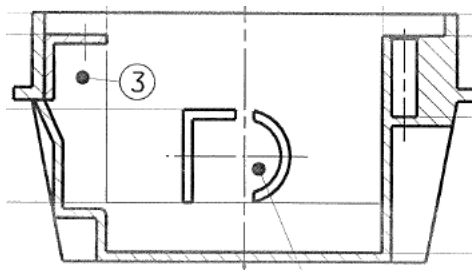
Boxes intended to receive screws and claws.

Depth: 45 mm.

For reference and further information, see IT10

EN 60670-1:2005	Flush-mounting boxes used in ITALY	IT5 of IT10
		Date: 2009-04-30

Sketch designation A5



Dimensions in mm (if any)

Working width: 50 mm.

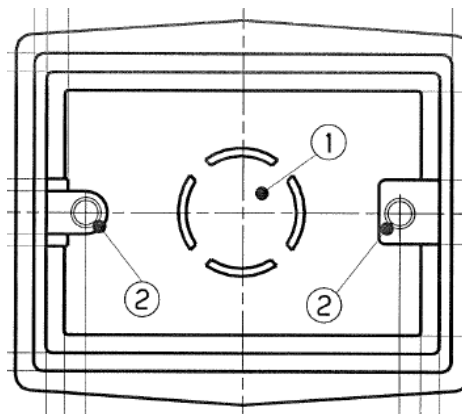
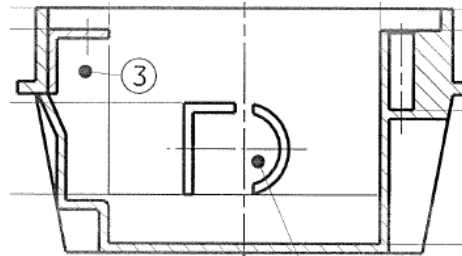
Boxes intended to receive screws.

Depth: 45 mm.

For reference and further information, see IT10

EN 60670-1:2005	Flush-mounting boxes used in ITALY	IT6 of IT10
		Date: 2009-04-30

Sketch designation A6



Dimensions in mm (if any)

Working width: 50 mm.

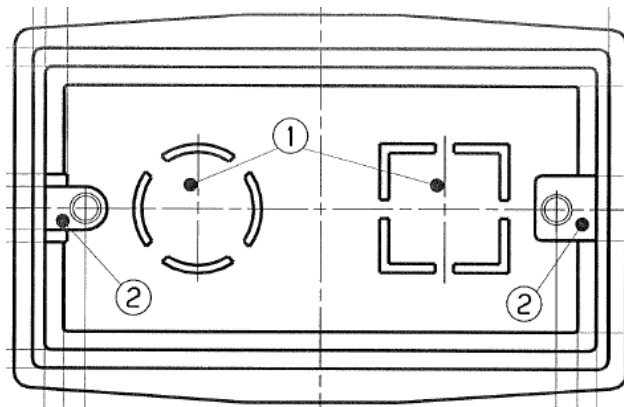
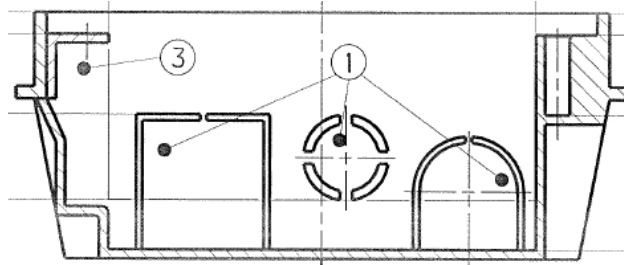
Boxes intended to receive screws.

Depth: 50 mm.

For reference and further information, see IT10

EN 60670-1:2005	Flush-mounting boxes used in ITALY	IT7 of IT10
		Date: 2009-04-30

Sketch designation A7



Dimensions in mm (if any)

Working width: 75 mm.

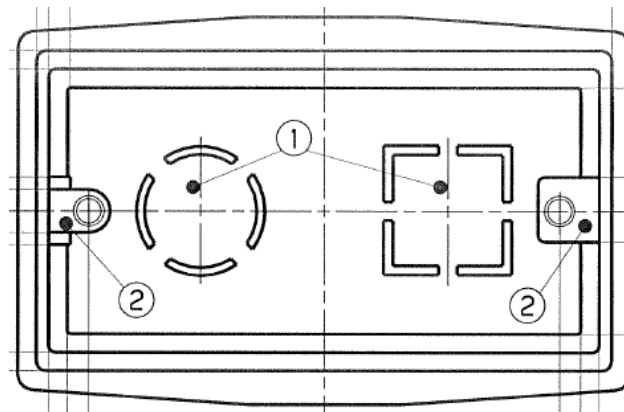
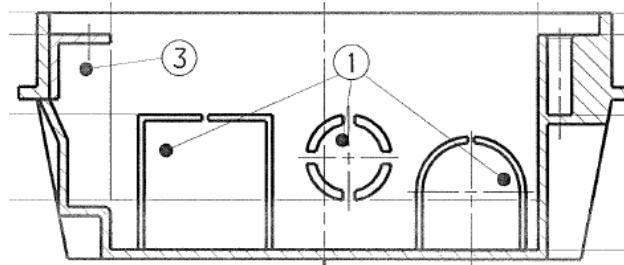
Boxes intended to receive screws.

Depth: 45 mm.

For reference and further information, see IT10

EN 60670-1:2005	Flush-mounting boxes used in ITALY	IT8 of IT10
		Date: 2009-04-30

Sketch designation A8



Dimensions in mm (if any)

Working width: 75 mm.

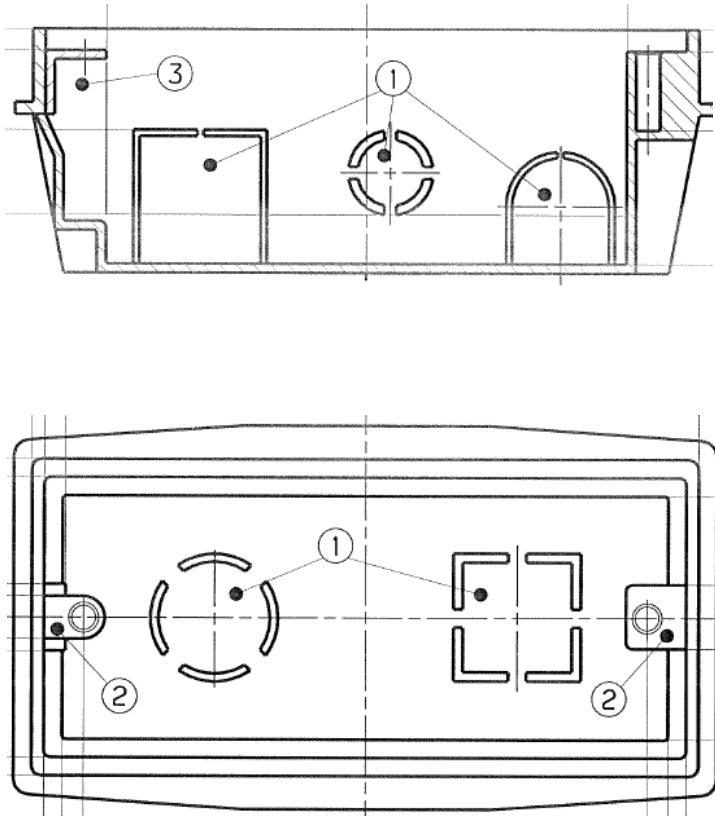
Boxes intended to receive screws.

Depth: 50 mm.

For reference and further information, see IT10

EN 60670-1:2005	Flush-mounting boxes used in ITALY	IT9 of IT10
		Date: 2009-04-30

Sketch designation A9



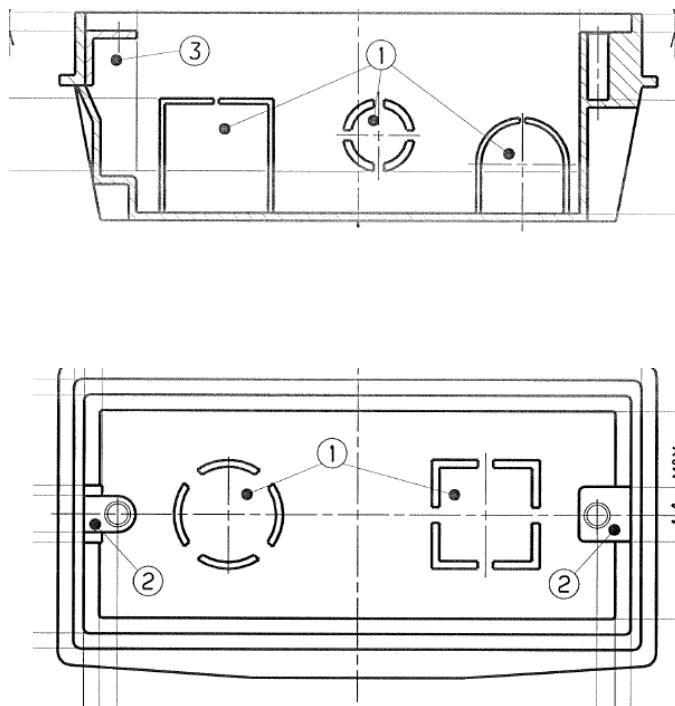
Dimensions in mm (if any)

Working width: 100 mm.
Boxes intended to receive screws.
Depth: 45 mm.

For reference and further information, see IT10

EN 60670-1:2005	Flush-mounting boxes used in	IT10 of IT10
	ITALY	Date: 2009-04-30

Sketch designation A10



Dimensions in mm (if any)

Working width: 100 mm.

Boxes intended to receive screws.

Depth: 50 mm.

Reference of National standard or regulation: CEI 23-74:2002

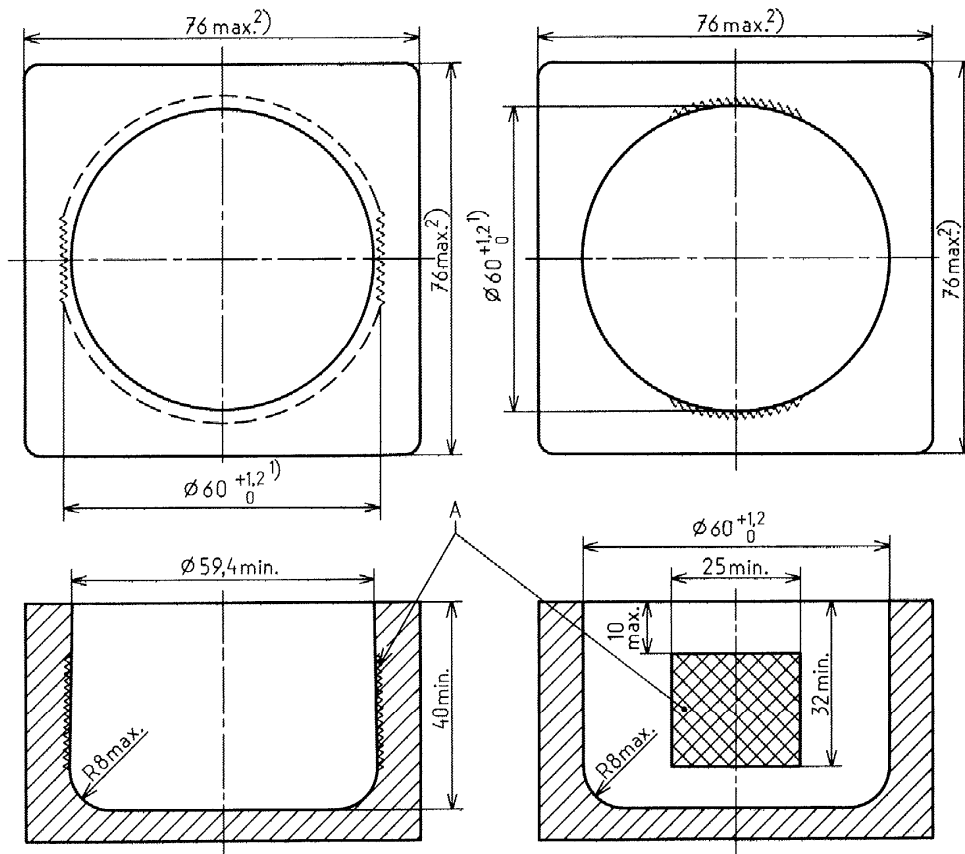
Further information obtainable from:	CEI Comitato Elettrotecnico Italiano Via Saccardo 9 20134 MILANO	Telephone: + 39 02 210061 Fax: + 39 02 21006210 E-mail: www.ceiweb.it
Distribution and subscription from:	CEI Comitato Elettrotecnico Italiano Via Saccardo 9 20134 MILANO	Telephone: + 39 02 210061 Fax: + 39 02 21006210 E-mail: www.ceiweb.it

Flush-mounting boxes used in: THE NETHERLANDS

EN 60670-1	Accessory Boxes used in The Netherlands	NL 1 of NL 3
		Date: 2009-05-05
<p>Sketch designation</p>		
Dimensions in mm		
Reference of National standard or regulation KEMA Standard K132		
For reference and further information, see NL 3		

EN 60670-1	Accessory Boxes used in	NL 2 of NL 3
	The Netherlands	Date: 2009-05-05

Sketch designation



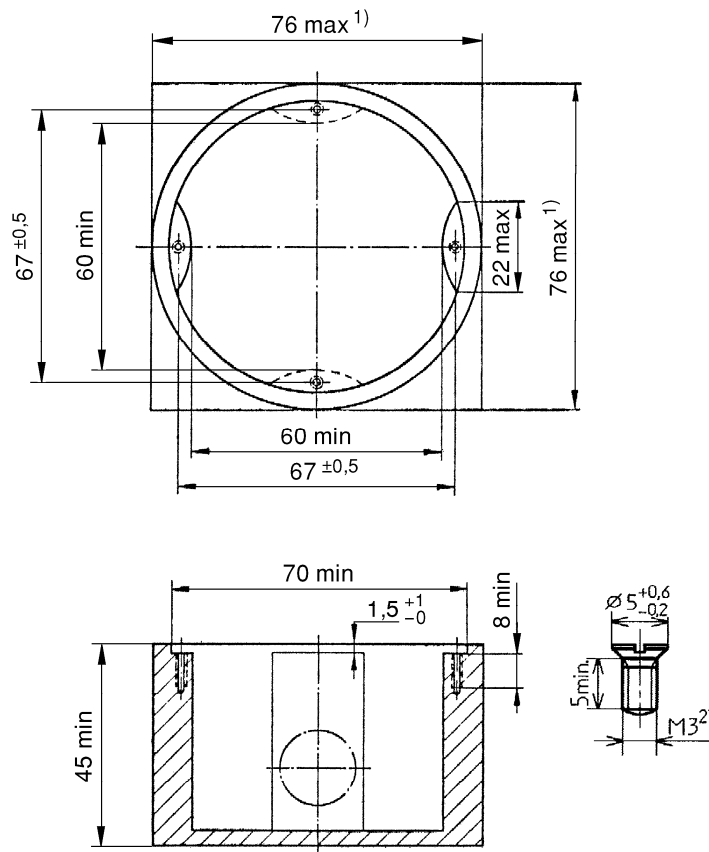
Dimensions in mm

Reference of National standard or regulation
KEMA Standard K132

For reference and further information, see NL 3

EN 60670-1	Accessory Boxes used in	NL 3 of NL 3
	The Netherlands	Date: 2009-05-05

Sketch designation



Dimensions in mm

Reference of National standard or regulation
KEMA 132

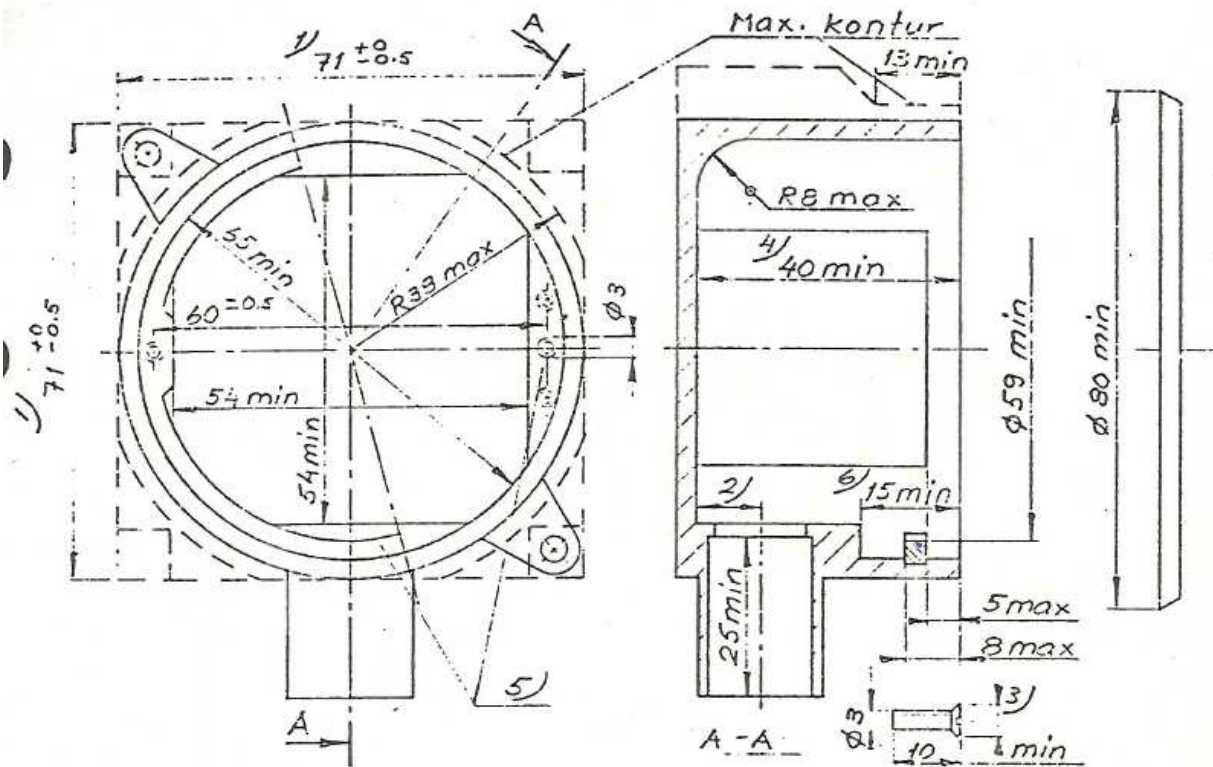
-

Further information obtainable from:	KEMA Quality B.V. Utrechtseweg 310, 6812 AR Arnhem The Netherlands	Telephone: +31 26 3 56 2921 Fax: + 31 26 3 52 58 00 E-mail: Edith.Cremers@kema.com
Distribution and subscription from:	KEMA Quality B.V. Utrechtseweg 310, 6812 AR Arnhem The Netherlands	Telephone: +31 26 3 56 2921 Fax: + 31 26 3 52 58 00 E-mail: Edith.Cremers@kema.com

Flush-mounting boxes used in: NORWAY

EN 60670-1:2005	Flush-mounting boxes used in	NO 1 of NO 3
	Norway	Date: 2009-09-07

Sketch designation

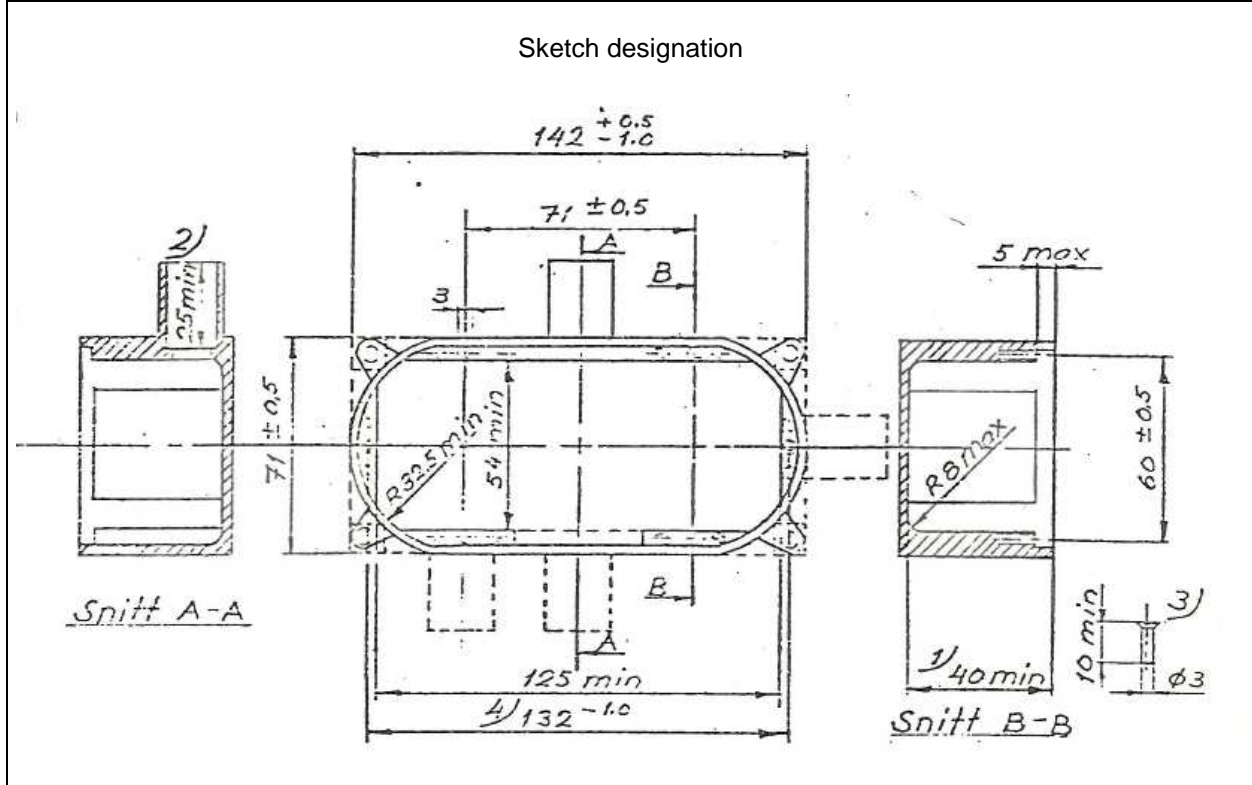


Dimensions in mm (if any)

These are standard sheets for flush-mounting boxes intended to be mounted into a wall.

For reference and further information, see Old Norwegian national standard NEK 516

EN 60670-1:2005	Flush-mounting boxes used in	NO 2 of NO 3
	Norway	Date: 2009-09-07



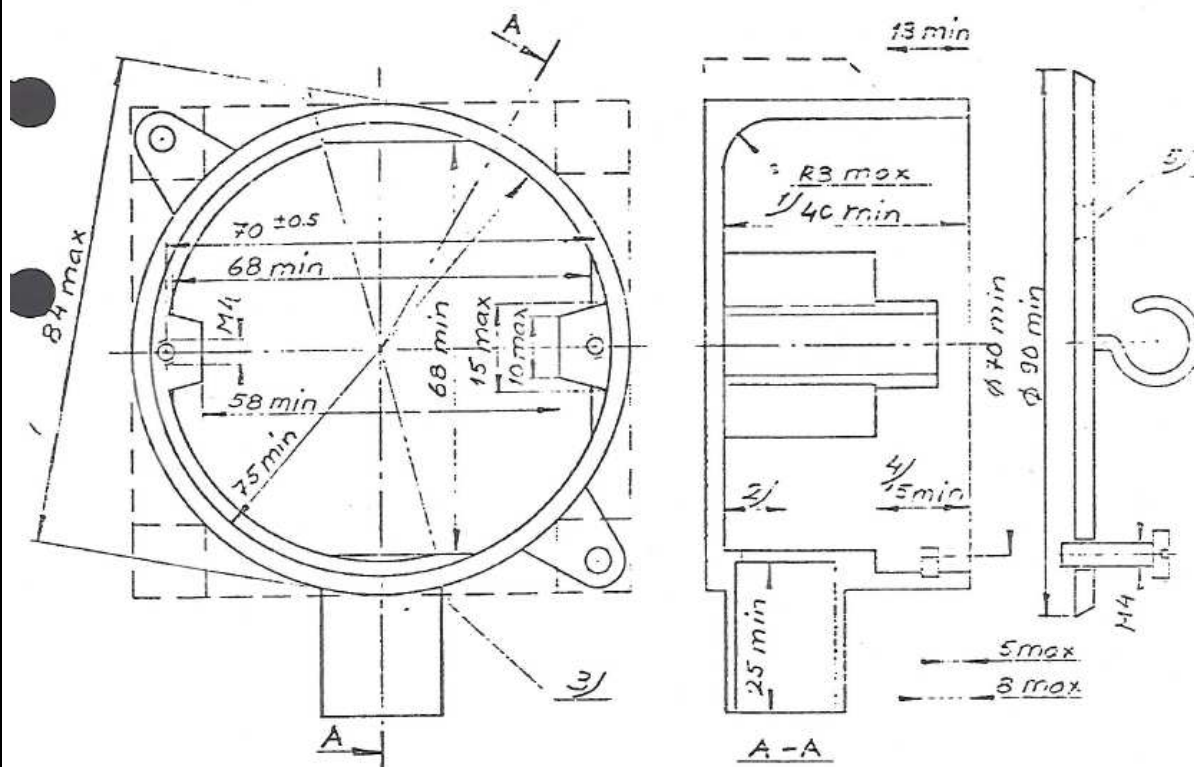
Dimensions in mm (if any)

Reference of National standard or regulation	Old Norwegian national standard NEK 516
----------------------------------------------	-----------------------------------------

Further information obtainable from:	Standards Norway P.O. Box 242 NO-1326 Lysaker, Norway	Tel: +47 67 83 86 00 Fax: +47 67 83 86 01 Email: info@standard.no www.standard.no
Distribution and subscription from:	Standards Norway P.O. Box 242 NO-1326 Lysaker, Norway	Tel: +47 67 83 86 00 Fax: +47 67 83 86 01 Email: info@standard.no www.standard.no

EN 60670-21:2005	Flush-mounting boxes used in	NO 3 of NO 3
	Norway	Date: 2009-09-07

Sketch designation



Dimensions in mm (if any)

These are standard sheets for flush-mounting boxes with suspension means intended to be mounted into a ceiling.

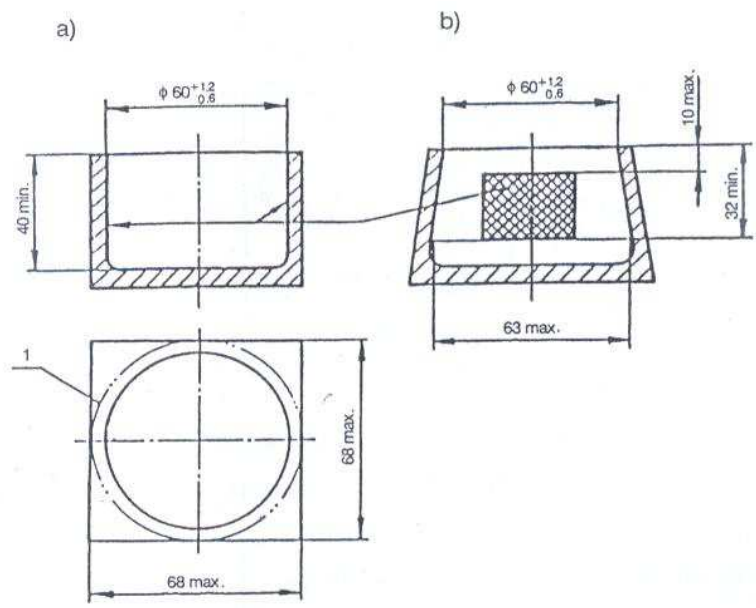
For reference and further information, see Old Norwegian national standard NEK 516

Further information obtainable from:	Standards Norway P.O. Box 242 NO-1326 Lysaker, Norway	Tel: +47 67 83 86 00 Fax: +47 67 83 86 01 Email: info@standard.no www.standard.no
Distribution and subscription from:	Standards Norway P.O. Box 242 NO-1326 Lysaker, Norway	Tel: +47 67 83 86 00 Fax: +47 67 83 86 01 Email: info@standard.no www.standard.no

Flush-mounting boxes used in: POLAND

EN 60670-1:2005	Flush-mounting boxes used in	PL1 of PL3
	POLAND	Date: 2009-09-30

Sketch designation A1

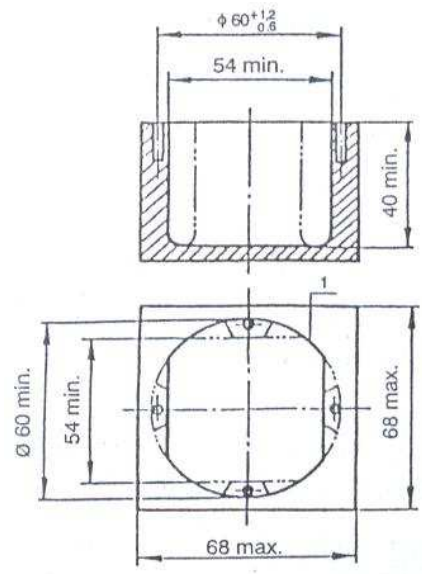


Dimensions in mm (if any)

For reference and further information, see PL3

EN 60670-1:2005	Flush-mounting boxes used in	PL2 of PL3
	POLAND	Date: 2009-09-30

Sketch designation A2

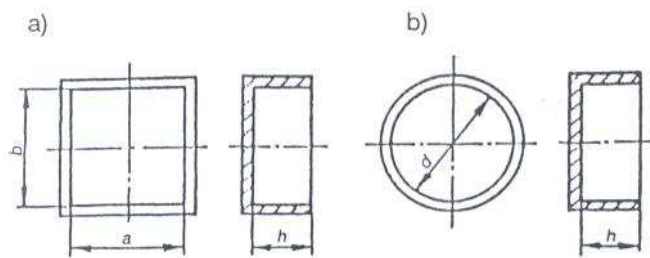


Dimensions in mm (if any)

For reference and further information, see PL3

EN 60670-1:2005	Flush-mounting boxes used in	PL3 of PL3
	POLAND	Date: 2009-09-30

Sketch designation B1



Dimensions in mm (if any)

Reference of National standard or regulation: PN-E-93208:1997

Further information obtainable from:	PKN Polski Komitet Normalizacyjny ul. Świętokrzyska 14 00-950 Warszawa	Tel.:+48 22 5567777 E-mail: http://WWW.pkn.pl
Distribution and subscription from:	PKN Polski Komitet Normalizacyjny ul. Świętokrzyska 14 00-950 Warszawa	Tel.:+48 22 5567777 E-mail: http://WWW.pkn.pl

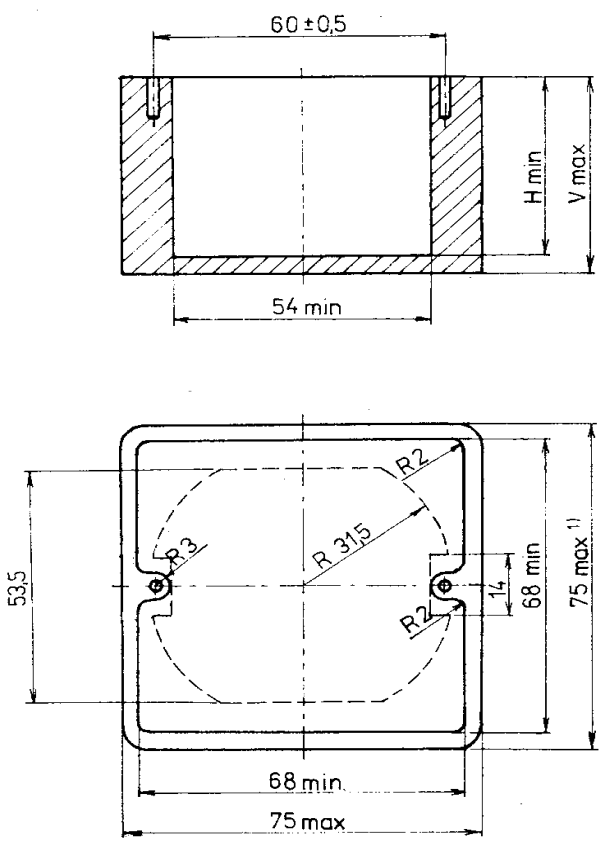
Flush-mounting boxes used in: PORTUGAL

EN 60670-1	Flush-mounting boxes used in PORTUGAL	-
		Date: 2013-04-12
<p style="text-align: center;">Sketch designation</p> <p>In Portugal there aren't specified standard sheets for such kind of boxes.</p> <p>Dimensions in mm</p>		
Reference of National standard or regulation -		
-		
Further information obtainable from:	-	-
Distribution and subscription from:	-	-

Flush-mounting boxes used in: SLOVAKIA

EN 60670-1:2005	Flush-mounting boxes used in	SK1 of SK2
	Slovakia	Date: 2009-07-08

Sketch designation



Dimensions in mm (if any)

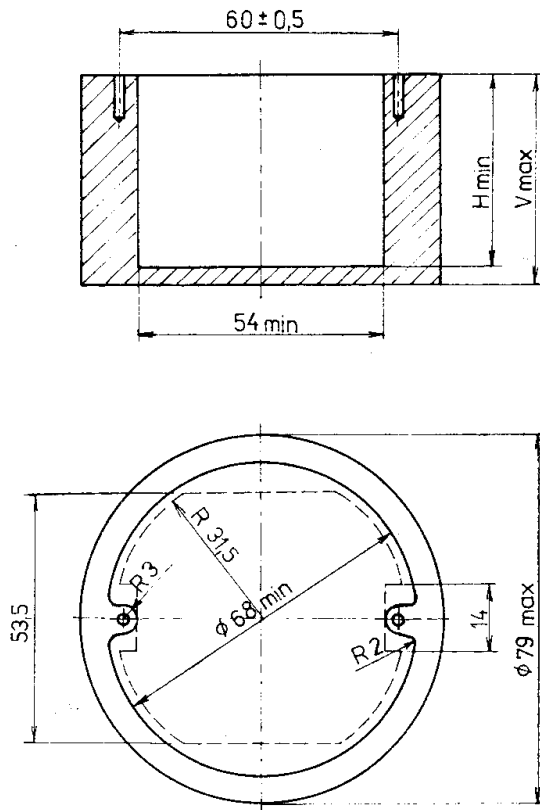
H min.	12,5	25	32	40
V max.	15,5	30	37	45

Internal dimensions on the picture are minimal

For reference and further information, see SK2

EN 60670-1:2005	Flush-mounting boxes used in	SK2 of SK2
	Slovakia	Date: 2009-07-08

Sketch designation



Dimensions in mm (if any)

H min.	25	32	40
V max.	30	37	45

Reference of National standard or regulation

The dimensions and shapes of Flush mounting boxes were determined by Slovak standard STN 370100. This standard validity finished on 1. of October 2007 and this standard has been replaced with STN EN 60 670-1. The shape and dimensions of Flush mounting boxes in Slovakia are not specified at present. The manufacturers of boxes have accepted understanding, that dimensions and shapes of boxes should meet with dimensions of relevant devices. Dimensions and shapes of boxes were therefore taken from former standard.

Internal dimensions on the picture are minimal

Further information obtainable from:	SUTN Karloveska 63 840 00 Bratislava Slovakia	Secretary to Slovak National Committee Andrej Svatik SUTN Karloveska 63 840 00 Bratislava Slovakia tel.: +421 2 60294 466 e-mail: svatik@sutn.gov.sk
Distribution and subscription from:	SUTN Karloveska 63 840 00 Bratislava Slovakia	Secretary to Slovak National Committee Andrej Svatik SUTN Karloveska 63 840 00 Bratislava Slovakia tel.: +421 2 60294 466 e-mail: svatik@sutn.gov.sk

	Technical Report on flush-mounting boxes covered by CLC/TC 23BX used by CENELEC members and affiliate member countries (INFORMATIVE)	OSM/IN 257C 2013-05-31
-----------------------------------------------------------------------------------	---------------------------------------------------------------------------------------------------------------------------------------------	--------------------------------------

Flush-mounting boxes used in: SLOVENIA

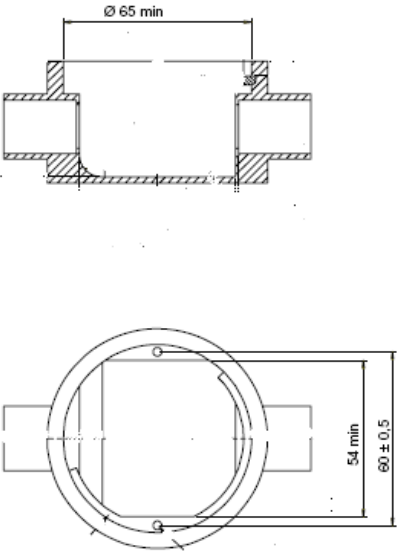
EN 60670-1	Flush-mounting boxes used in SLOVENIA	- Date: 2009-07-27
<p style="text-align: center;">Sketch designation</p> <p>Slovenia does not have any national standard or legislation of any kind for these products regarding dimensional aspect. In the past all flush mounted boxes were same as ones used in Germany since our Installation rules are quite similar. Standard installation box was 60 mm (diameter) and 45 mm (depth). With opening of market in 90s, all kinds boxes flooded the market and are mostly related with accessory which will be mounted inside.</p> <p>Therefore for the time being, Slovenia can be considered as non-regulated / open area.</p> <p>Dimensions in mm</p>		
Reference of National standard or regulation -		
-		
Further information obtainable from:	-	-
Distribution and subscription from:	-	-

	Technical Report on flush-mounting boxes covered by CLC/TC 23BX used by CENELEC members and affiliate member countries (INFORMATIVE)	OSM/IN 257C 2013-05-31
-----------------------------------------------------------------------------------	---------------------------------------------------------------------------------------------------------------------------------------------	--------------------------------------

Flush-mounting boxes used in: SPAIN

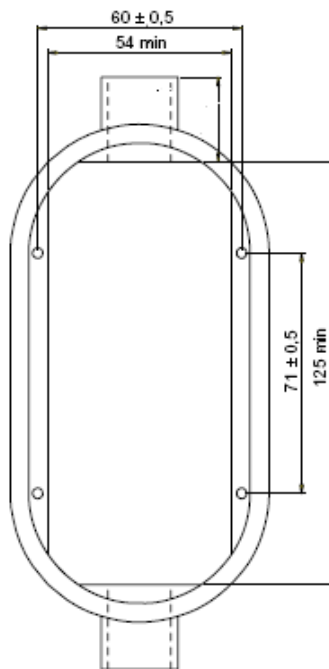
EN 60670-1	Flush-mounting boxes used in SPAIN	- Date: 2013-05-31
<p style="text-align: center;">Sketch designation</p> <p>National standard UNE 201006 establishes dimensional requirements to be met by the boxes and enclosures of the Spanish system for accessories intended for stationary power installations.</p> <p>The implementation of this standard has been communicated to CENELEC and approved by CENELEC BT 127.</p> <p>Dimensions in mm</p>		
Reference of National standard or regulation -		
-		
Further information obtainable from:	-	-
Distribution and subscription from:	-	-

Flush-mounting boxes used in: SWEDEN

EN 60670-1:2005	Flush-mounting boxes for accessories used in Sweden	SE1 of SE4
		Date: 2009-09-08
<p style="text-align: center;">Sketch designation SE 1</p> 		
<p>Dimensions in mm (if any) Standard sheet SS 430 06 17 The depth of the box: Min 40mm</p>		
<p>For reference and further information, see SE 4</p>		

EN 60670-1:2005	Flush-mounting boxes for accessories used in	SE2 of SE4
	Sweden	Date: 2009-09-08

Sketch designation SE 2



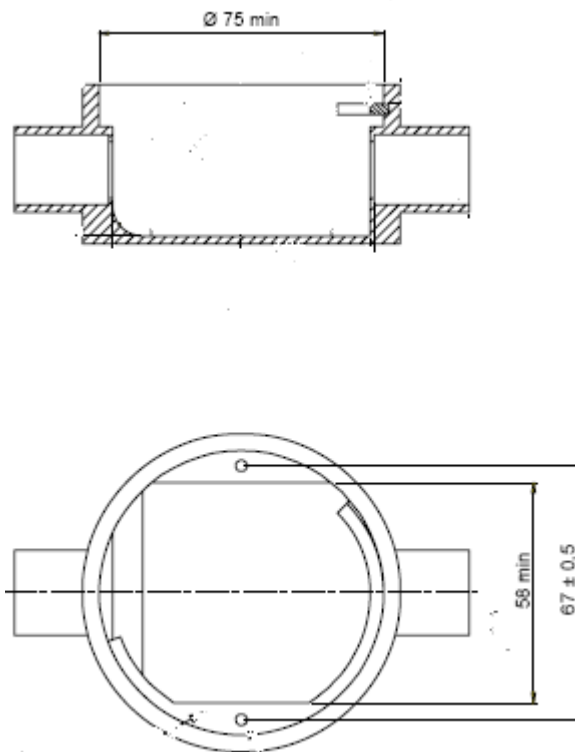
Dimensions in mm (if any)

Standard sheet SS 430 06 17
The depth of the box: Min 40mm

For reference and further information, see SE 4

EN 60670-1:2005 EN 60670-22:2006	Flush-mounting junction boxes used in Sweden	SE3 of SE4
		Date: 2009-09-08

Sketch designation SE3



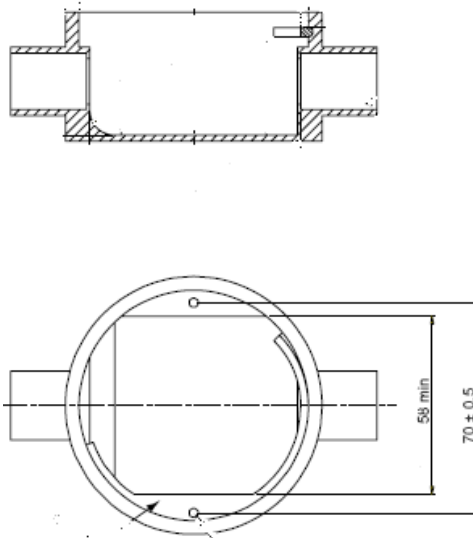
Dimensions in mm (if any)

Standard sheet SS 430 06 18
The depth of the box: Min 40mm

For reference and further information, see SE 4

EN 60670-1:2005 EN 60670-21:2007	Circular flush-mounting boxes box for luminaries used in Sweden	SE4 of SE4
		Date: 2009-09-08

Sketch designation SE4



Dimensions in mm (if any)

Standard sheet SS 430 06 19

The depth of the box: Min 40mm

Further information obtainable from:	SEK Svensk Elstandard Box 1284 164 29 Kista	Telephone: +46 84 44 14 00 Fax: +46 84 44 14 30 E-mail: sek@elstandard.se
--------------------------------------	---------------------------------------------------	---------------------------------------------------------------------------------



Technical Report on flush-mounting boxes covered by CLC/TC 23BX used by CENELEC members and affiliate member countries (INFORMATIVE)

OSM/IN 257C

2013-05-31

Flush-mounting boxes used in: SWITZERLAND

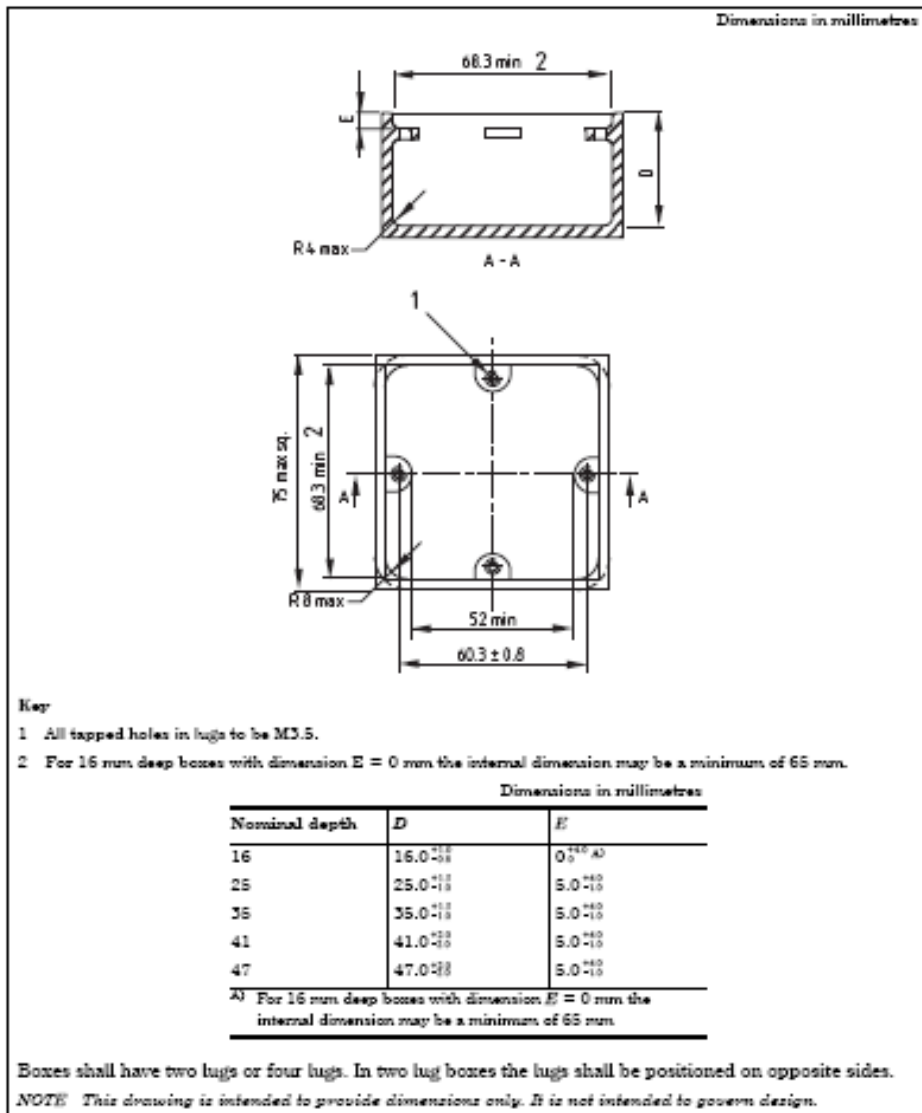
EN 60670-1	Flush-mounting boxes used in SWITZERLAND	-
		Date: 2011-05-24
<p style="text-align: center;">Sketch designation</p> <p>No standard sheets exist for Switzerland</p>		
<p>Dimensions in mm</p> <p>Reference of National standard or regulation: -</p>		
-		
Further information obtainable from:	-	-
Distribution and subscription from:	-	-

Flush-mounting boxes used in: UNITED KINGDOM

EN 60670-1:2005	Flush-mounting boxes used in	UK 1 of UK 12
	UNITED KINGDOM	Date: 25 September 2009

Sketch designation

Standard box – 1 gang



Dimensions in mm (if any)

Reference of National standard or regulation: BS 4662:2006

EN 60670-1:2005

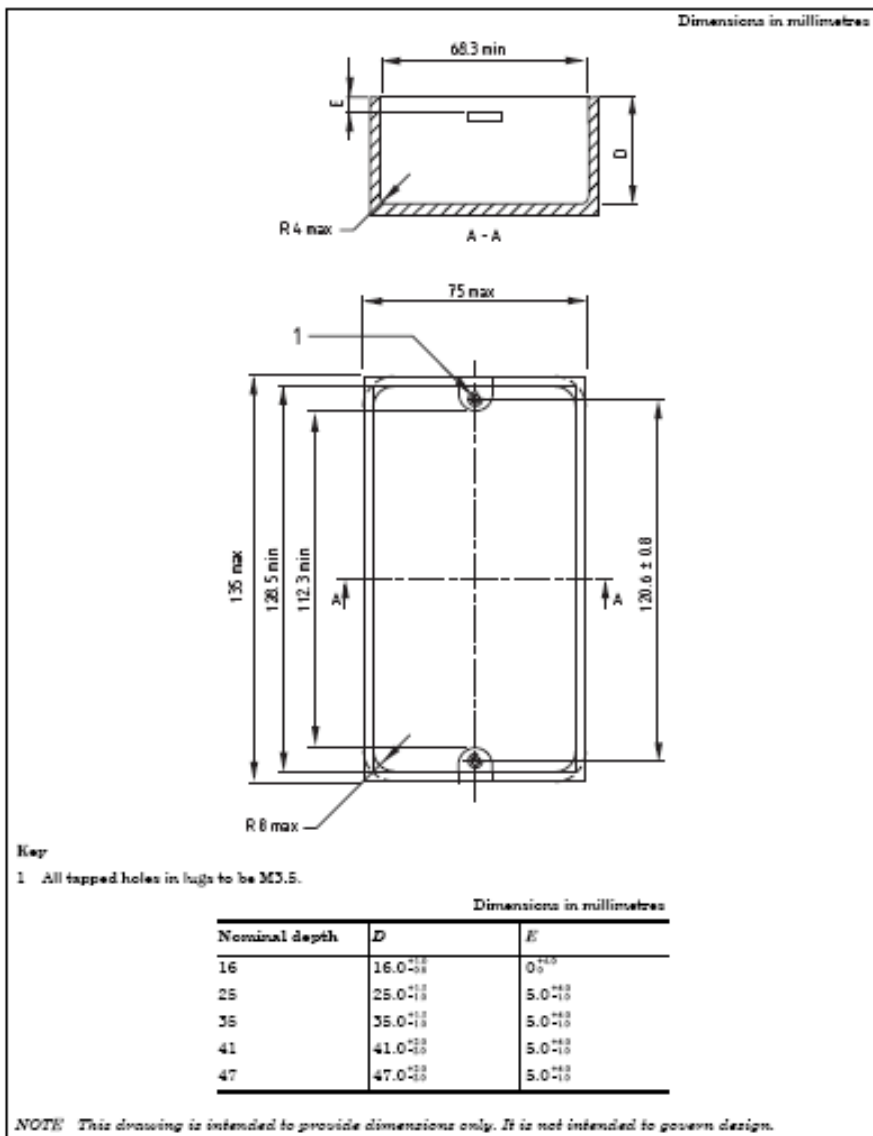
Flush-mounting boxes used in
UNITED KINGDOM

UK 2 of UK 12

Date: 25 September 2009

Sketch designation

Standard box – 2 gang



Dimensions in mm (if any)

Reference of National standard or regulation: BS 4662:2006

EN 60670-1:2005

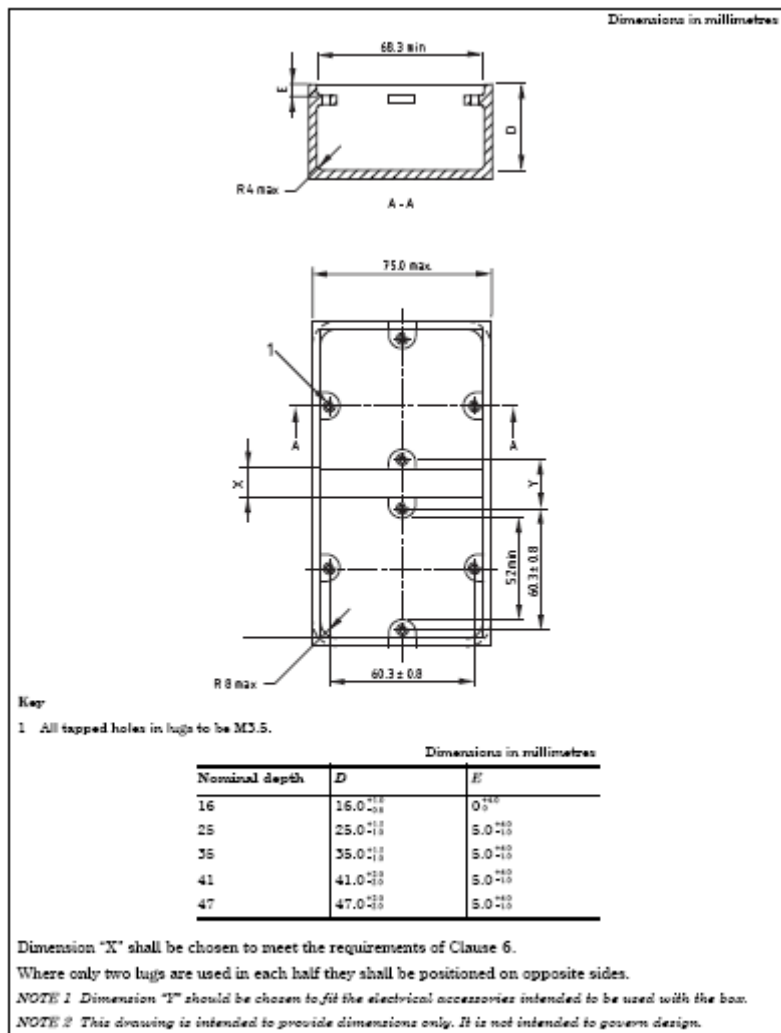
Flush-mounting boxes used in
UNITED KINGDOM

UK 3 of UK 12

Date: 25 September 2009

Sketch designation

Standard box – 2x1 gang (not in common use)



Dimensions in mm (if any)

Reference of National standard or regulation: BS 4662:2006

EN 60670-1:2005

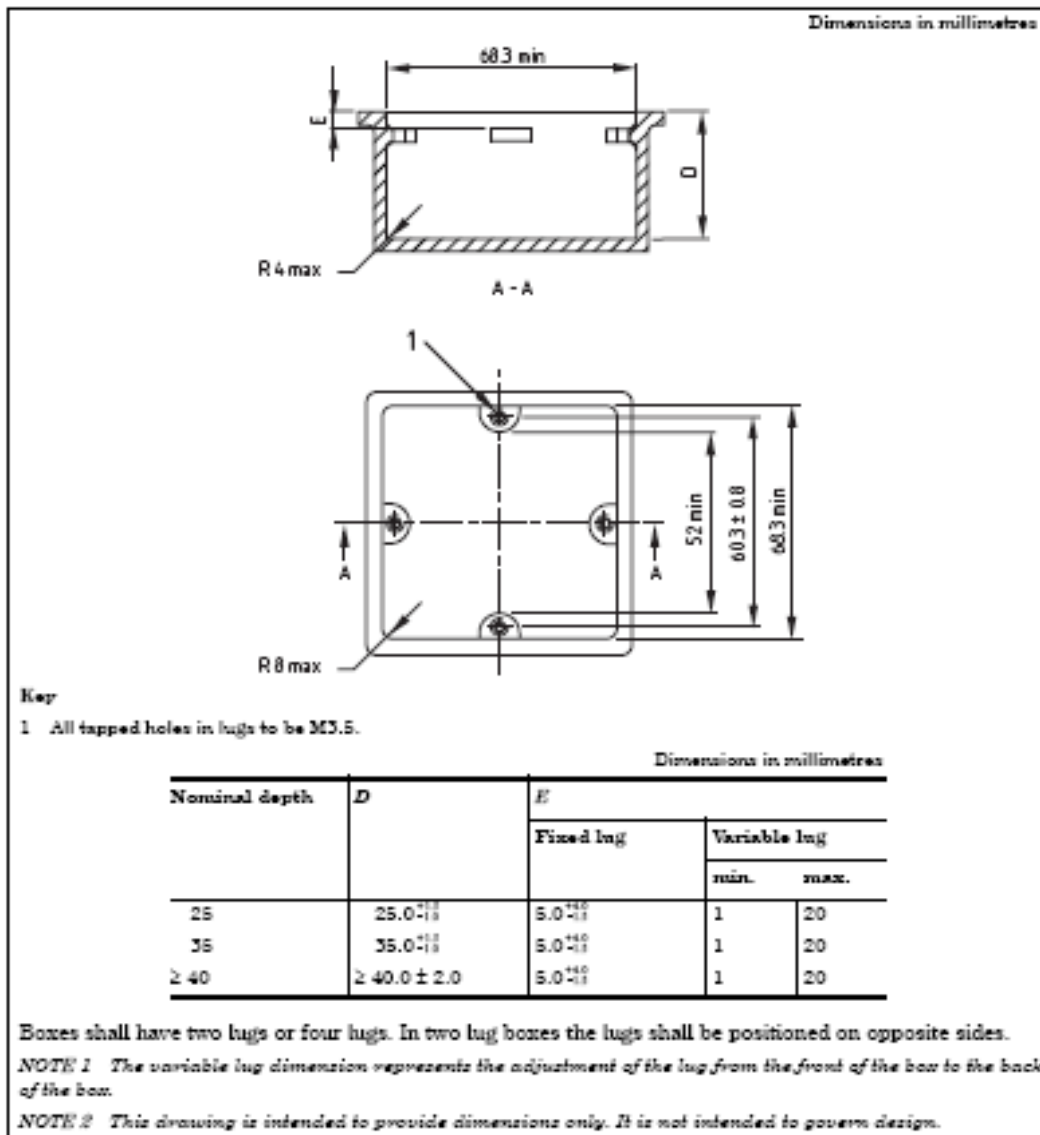
Flush-mounting boxes used in
UNITED KINGDOM

UK 4 of UK 12

Date: 25 September 2009

Sketch designation

Standard box – 1 gang (for use in hollow walls)



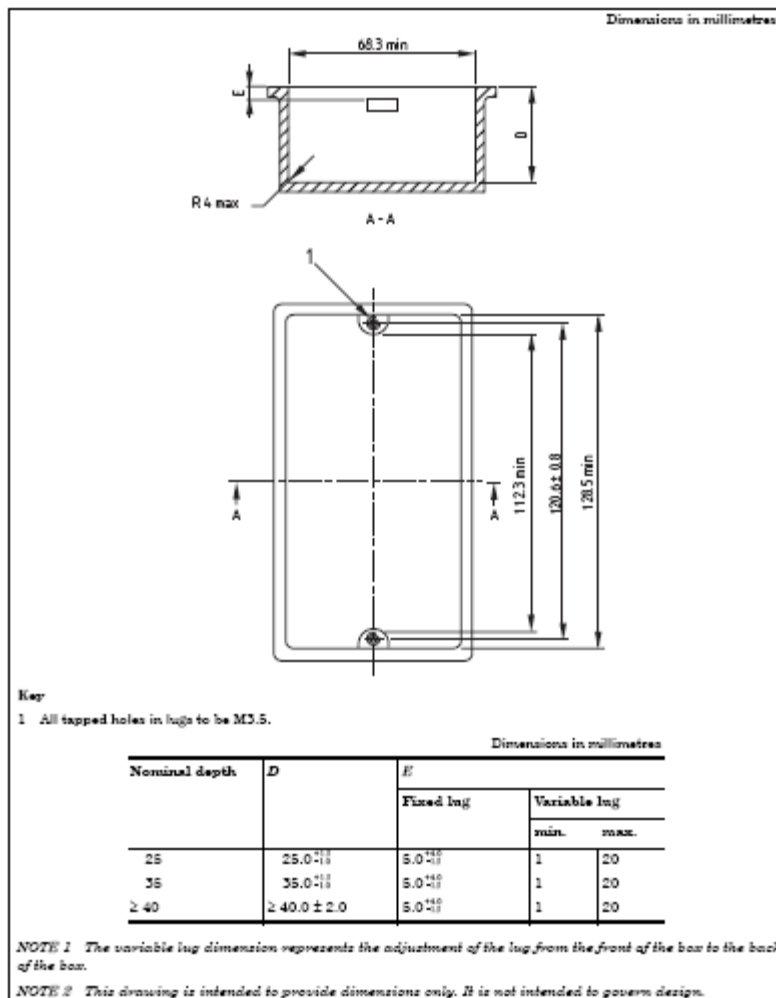
Dimensions in mm (if any)

Reference of National standard or regulation: BS 4662:2006

EN 60670-1:2005	Flush-mounting boxes used in	UK 5 of UK 12
	UNITED KINGDOM	Date: 25 September 2009

Sketch designation

Standard box – 2 gang (for use in hollow walls)



Dimensions in mm (if any)

Reference of National standard or regulation: BS 4662:2006

EN 60670-1:2005

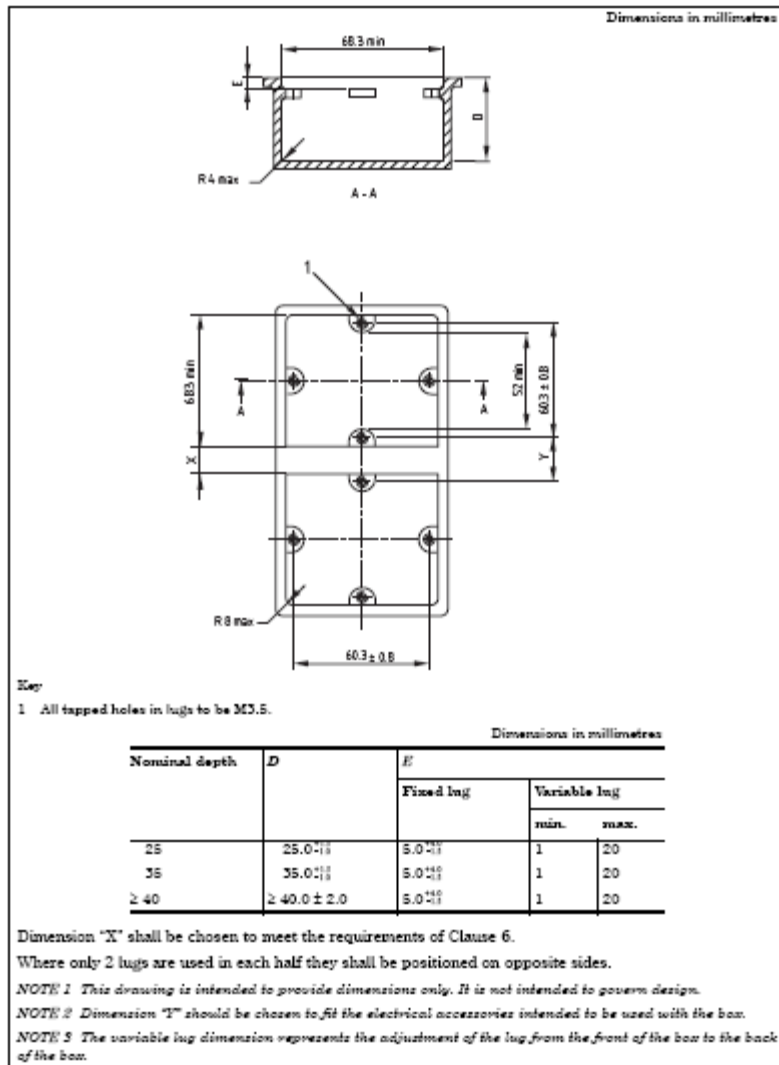
Flush-mounting boxes used in
UNITED KINGDOM

UK 6 of UK 12

Date: 25 September 2009

Sketch designation

Standard box – 2 x 1 gang (for use in hollow walls, not in common use)



Dimensions in mm (if any)

Reference of National standard or regulation: BS 4662:2006

EN 60670-1:2005

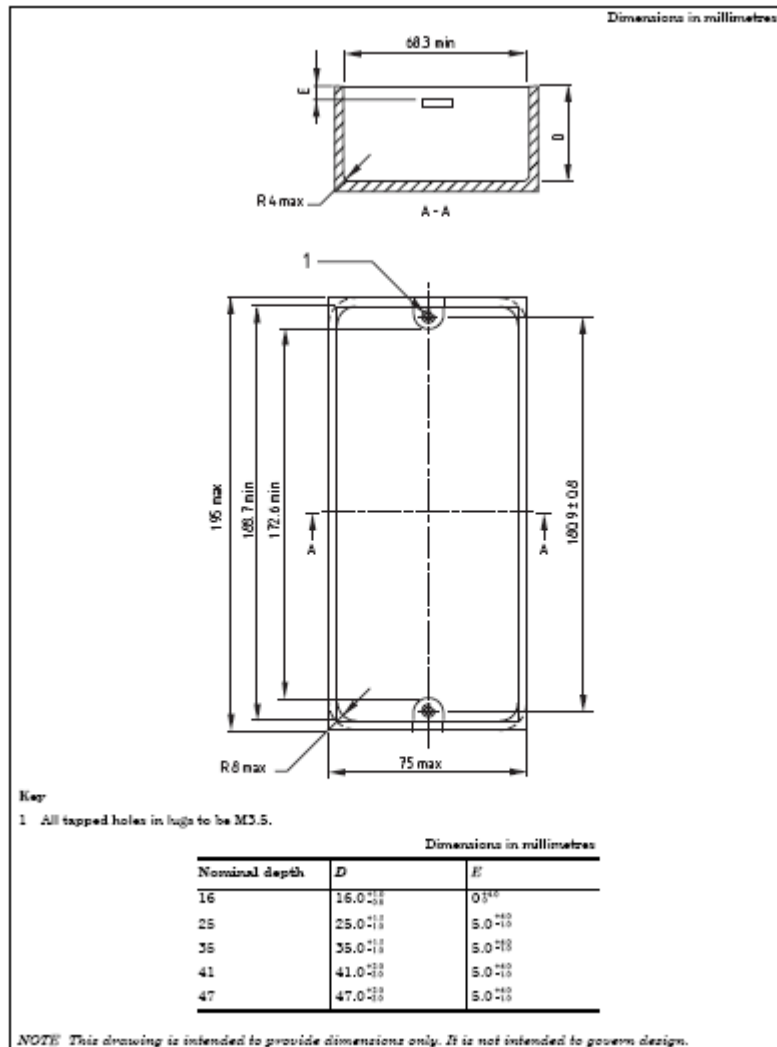
Flush-mounting boxes used in
UNITED KINGDOM

UK 7 of UK 12

Date: 25 September 2009

Sketch designation

Standard box – 3 gang



Dimensions in mm (if any)

Reference of National standard or regulation: BS 4662:2006

EN 60670-1:2005

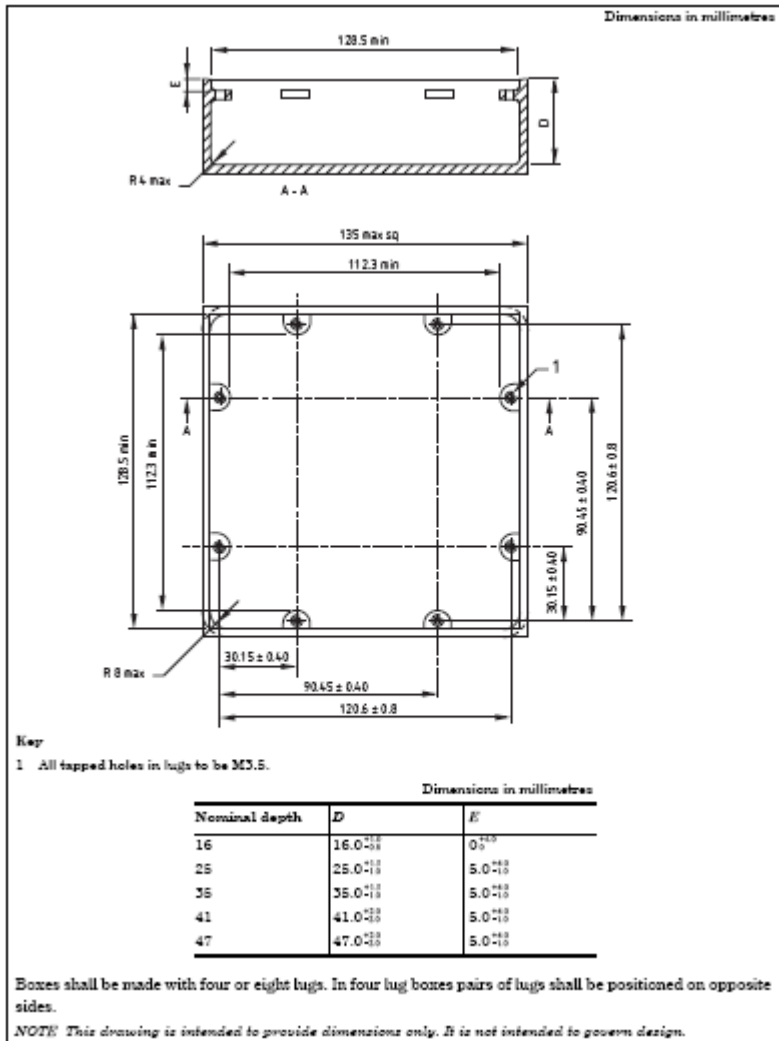
Flush-mounting boxes used in
UNITED KINGDOM

UK 8 of UK 12

Date: 25 September 2009

Sketch designation

Standard box – 4 gang



Dimensions in mm (if any)

Reference of National standard or regulation: BS 4662:2006

EN 60670-1:2005

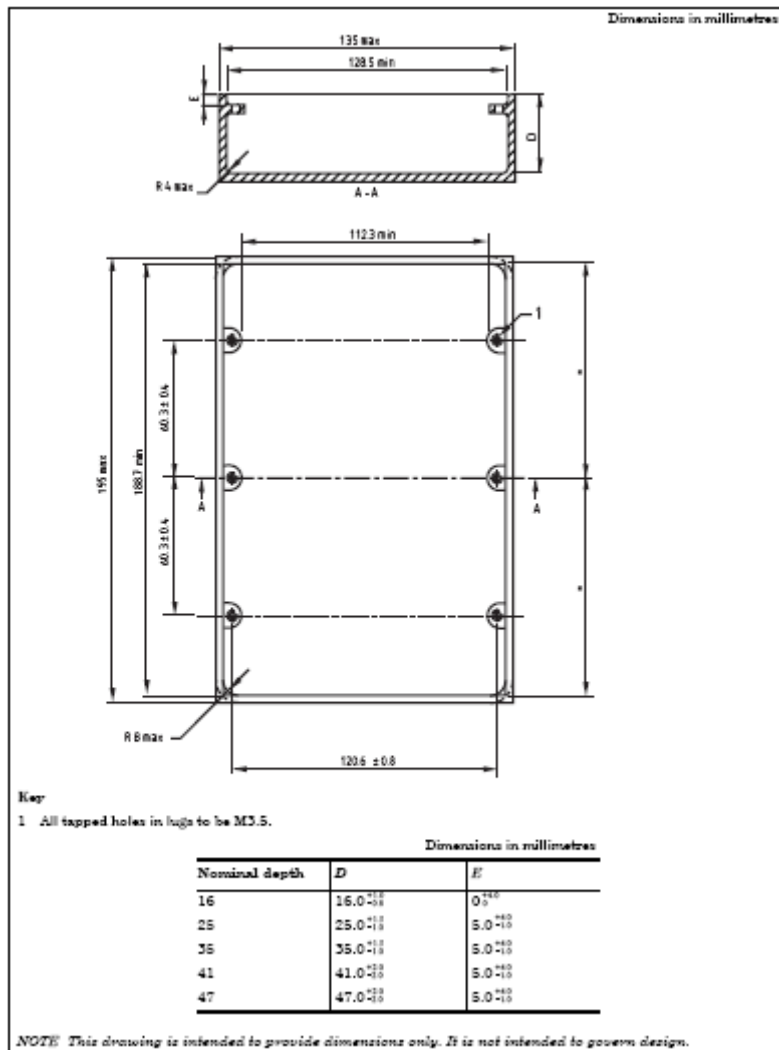
Flush-mounting boxes used in
UNITED KINGDOM

UK 9 of UK 12

Date: 25 September 2009

Sketch designation

Standard box – 6 gang



Dimensions in mm (if any)

Reference of National standard or regulation: BS 4662:2006

EN 60670-1:2005

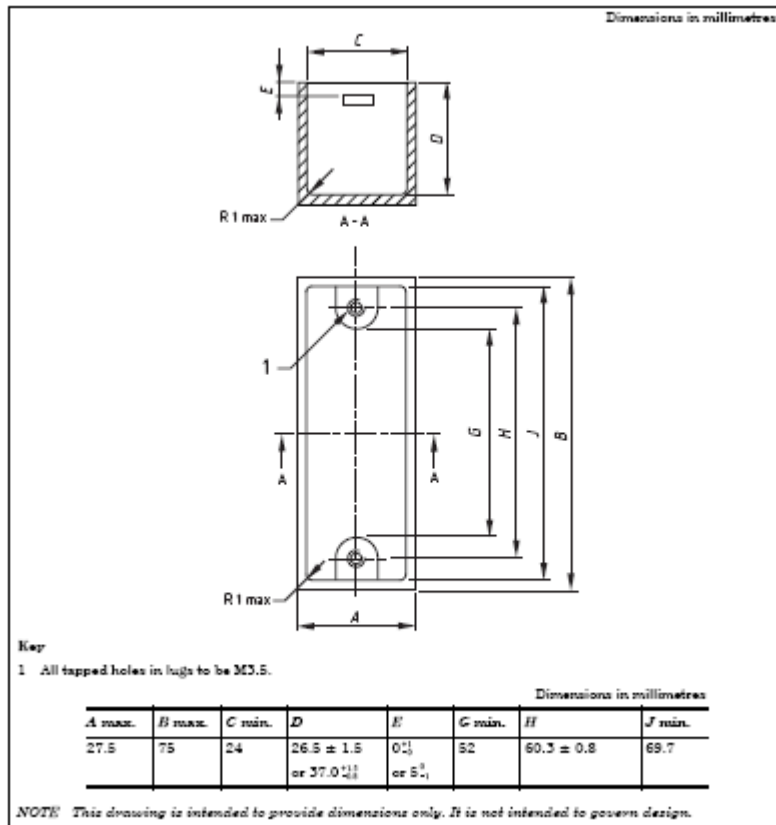
Flush-mounting boxes used in
UNITED KINGDOM

UK 10 of UK 12

Date: 25 September 2009

Sketch designation

Architrave box – 1 gang



Dimensions in mm (if any)

Reference of National standard or regulation: BS 4662:2006

EN 60670-1:2005

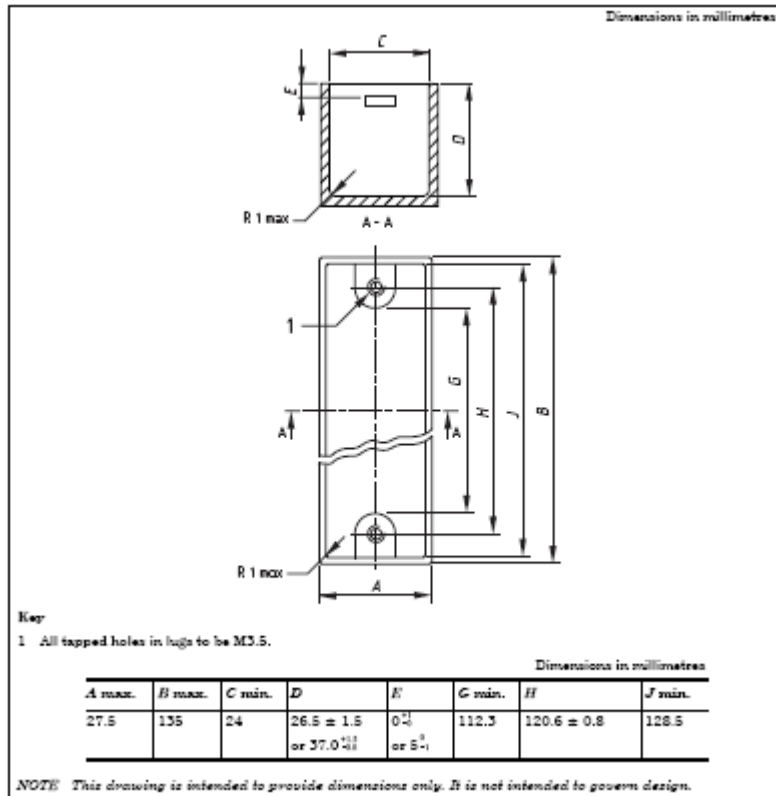
Flush-mounting boxes used in
UNITED KINGDOM

UK 11 of UK 12

Date: 25 September 2009

Sketch designation

Architrave box – 2 gang

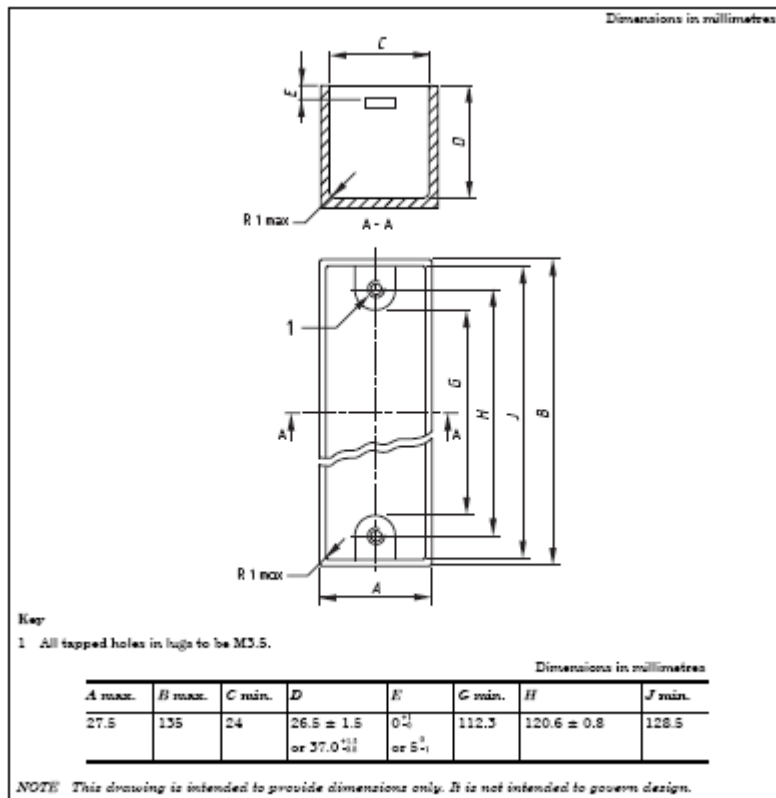


Dimensions in mm (if any)

Reference of National standard or regulation: BS 4662:2006

EN 60670-1:2005	Flush-mounting boxes used in	UK 12 of UK 12
	UNITED KINGDOM	Date: 25 September 2009

Architrave box – 2 gang
Sketch designation



Dimensions in mm (if any)

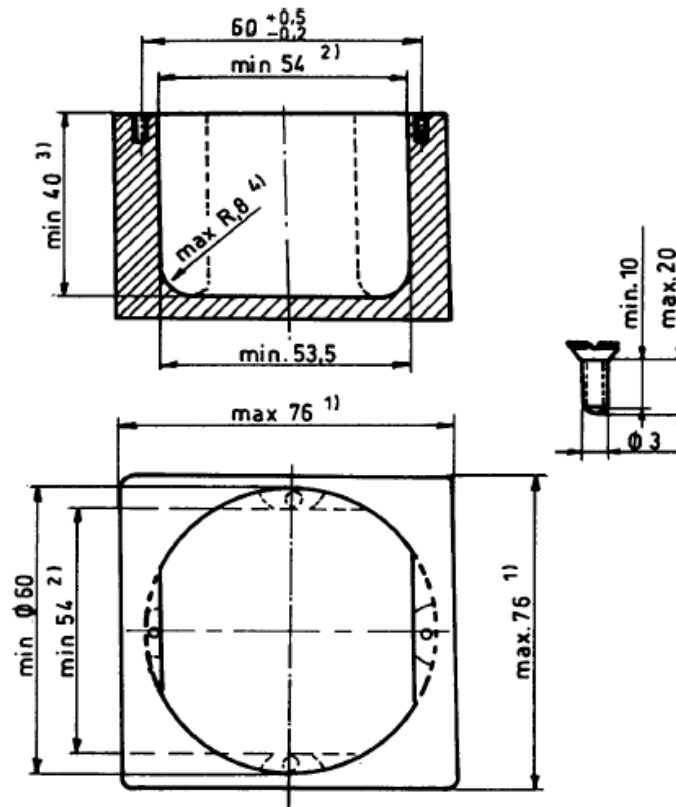
Reference of National standard or regulation: BS 4662:2006

Further information obtainable from:	BSI 389 Chiswick High Road London W4 4AL United Kingdom	
Distribution and subscription from:		

Flush-mounting boxes used in: TURKEY

EN 60670-1:2005	Flush-mounting boxes used in	TR1 of TR4
	TURKEY	Date: 2013-05-31

Sketch designation A1

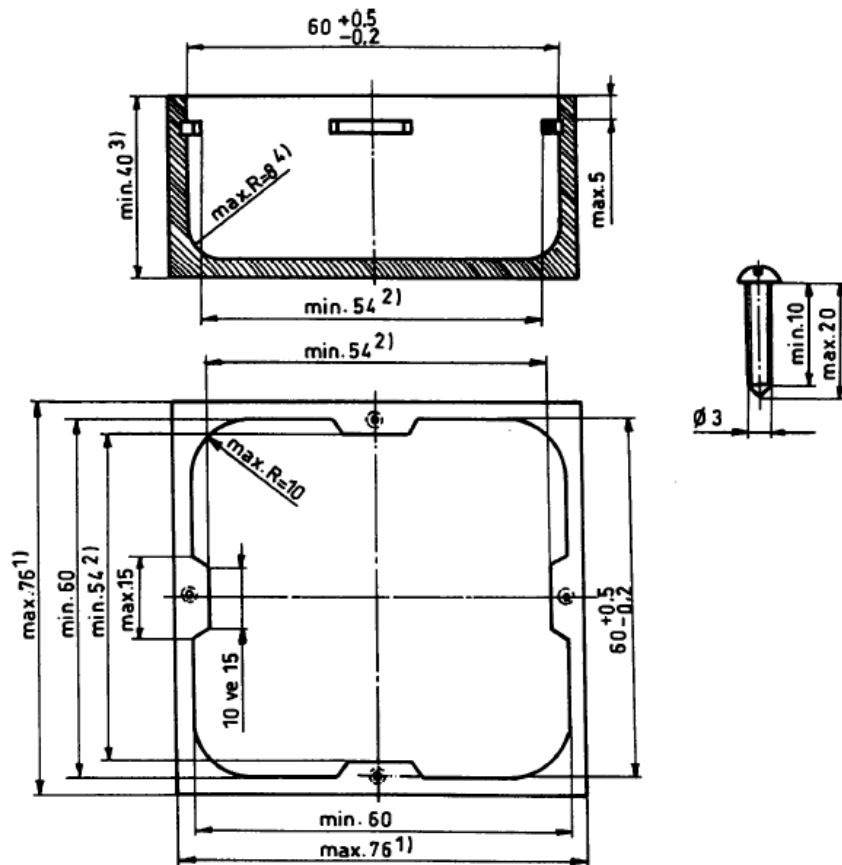


Dimensions in mm (if any)

For reference and further information, see **TS 5104, Föy 1**

EN 60670-1:2005	Flush-mounting boxes used in	TR2 of TR4
	TURKEY	Date: 2013-05-31

Sketch designation A2

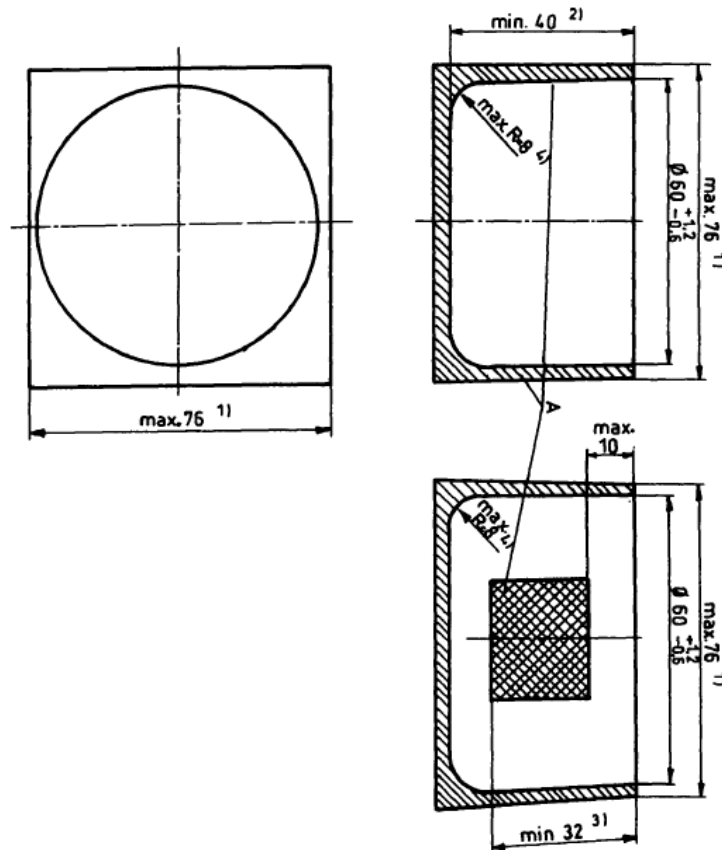


Dimensions in mm (if any)

For reference and further information, see **TS 5104, Föy 2**

EN 60670-1:2005	Flush-mounting boxes used in	TR3 of TR4
	TURKEY	Date: 2013-05-31

Sketch designation A3

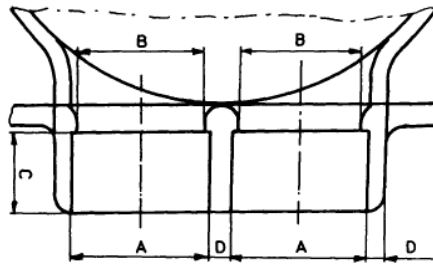
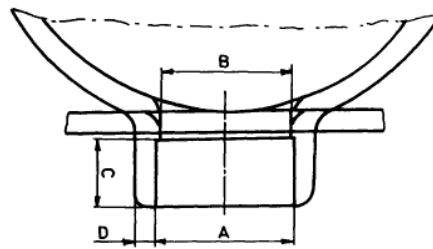


Dimensions in mm (if any)

For reference and further information, see **TS 5104, Föy 3**

EN 60670-1:2005	Flush-mounting boxes used in	TR4 of TR4
	TURKEY	Date: 2013-05-31

Sketch designation A4



Number of conduit's diameter	Diameter A	Diameter B	Min. Height C	Wall Thickness D (Min.)		
				Iron Casting	Steel Plate	Insulator Material
8	10,1	7,5	8 (6)	1,0	0,5	1,0
14	15,6	13	8 (6)	1,8	0,9	1,1
18	20,6	18	8 (6)	1,8	0,9	1,2
26	28,1	25,	8	2,3	1,4	1,4
37	40,1	37	10	2,8	1,4	1,5

Dimensions in mm (if any)

For reference and further information, see TS 5104, Föy 4

Further information Obtainable from:	TSE Turkish Standards Institution Necatibey Cad. No:112 Kızılay/Ankara-TURKEY	Telephone: +90 312 416 65 48 Fax: +90 312 416 63 85 E-mail: www.tse.org.tr
Distribution and subscription from:	TSE Turkish Standards Institution Necatibey Cad. No:112 Kızılay/Ankara-TURKEY	Telephone: +90 312 416 65 48 Fax: +90 312 416 63 85 E-mail: www.tse.org.tr